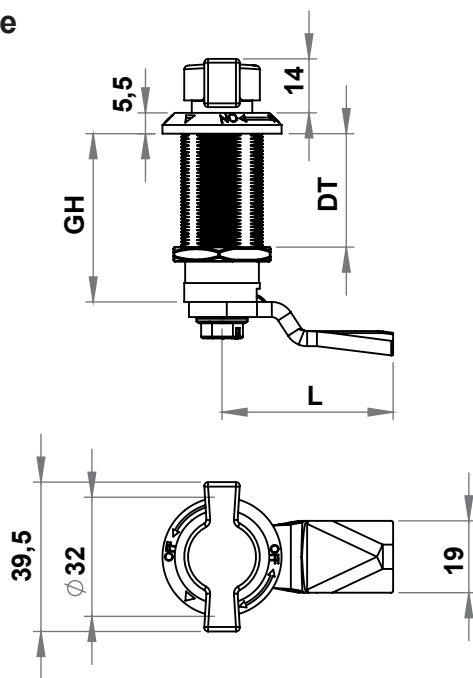


A Type

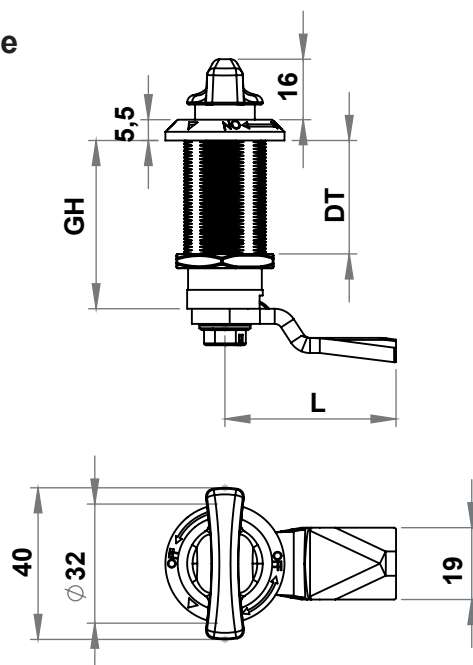


GH	DT	Wing knob PA over Zinc Die	Wing knob Plastic (PA)
35	20	1123 - 265 - xxx	1123 - 267 - xxx
45	30	1124 - 265 - xxx	1124 - 267 - xxx
55	40	1125 - 265 - xxx	1125 - 267 - xxx
65	50	1126 - 265 - xxx	1126 - 267 - xxx

You may chose the XXX section from tables of cams with stoper.

* Housing Zinc die, black coated.

B Type



GH	DT	Wing knob Zinc die Chrome Plated	Wing knob Plastic (PA)
35	20	1123 - 276 - xxx	1123 - 277 - xxx
45	30	1124 - 276 - xxx	1124 - 277 - xxx
55	40	1125 - 276 - xxx	1125 - 277 - xxx
65	50	1126 - 276 - xxx	1126 - 277 - xxx

You may chose the XXX section from tables of cams with stoper.



Quarter Turns

MATERIAL

Housing: Zinc die, chrome plated or black coated

Insert : Zinc die, chrome plated or black coated

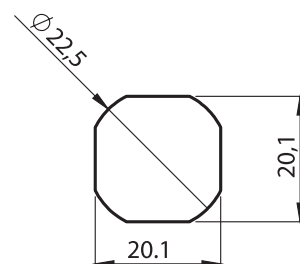
Cam : Zinc die, zinc plated.

OPTIONS

Cams :

Keys :

CUTOUT



IP 65



LH/RH

RoHS