



MATERIAL

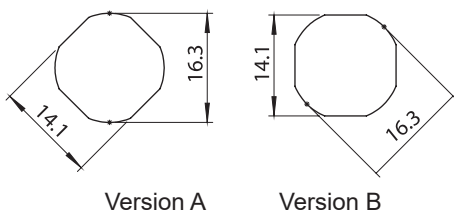
- Housing** : Polyamide (PA6 GFR30), black
- Insert** : Polyamide (PA6 GFR30), black
- Wing knob**: Polyamide (PA6 GFR30), black
- Nut** : Zinc die, zinc plated
- Cam** : Steel, zinc plated

OPTIONS

- Cams** :
- Keys** :

Suitable Cams				
Item Number	XXX	CH (mm)	L (mm)	GH=13,5 H (mm)
1900-604	604	-6	24	7,5
1900-602	602	0	24	13,5
1900-607	607	0	32	13,5
1900-606	606	0	33	13,5
1900-603	603	6	24	19,5

CUTOUT

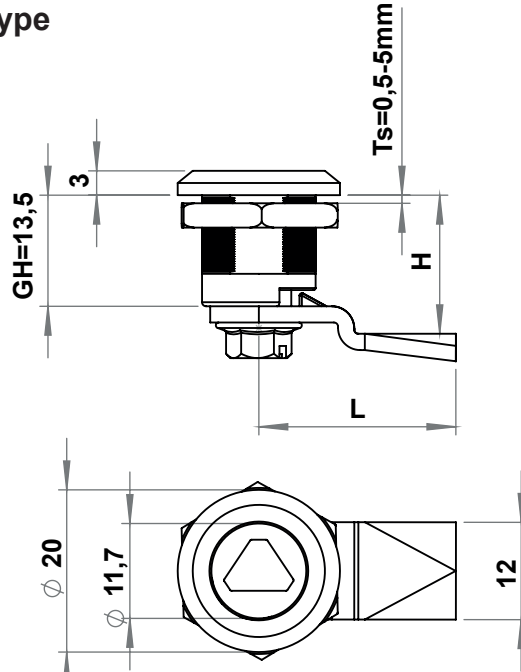


Version A

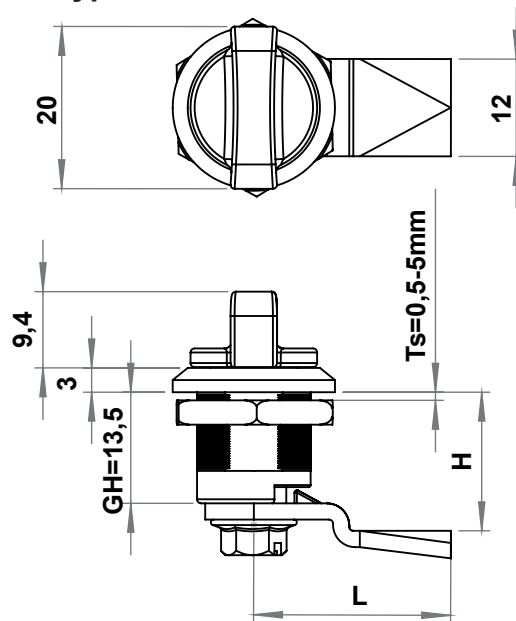
Version B



Insert Type



Wing Knob Type



1834 - 1835 - Quarter Turn GH=13,5

	Insert Types	Version A Cutout	Version B Cutout
	Square 6	1835 - 101 - xxx	1834 - 101 - xxx
	Triangular 6,5	1835 - 102 - xxx	1834 - 102 - xxx
	Slotted	1835 - 103 - xxx	1834 - 103 - xxx
	Wing knob	1835 - 104 - xxx	1834 - 104 - xxx

You may chose the XXX section, on the side of the page.