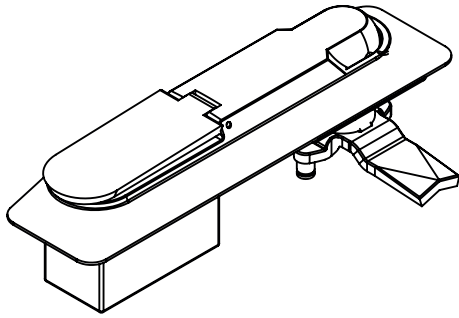
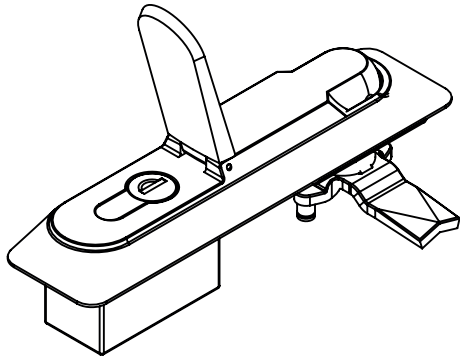
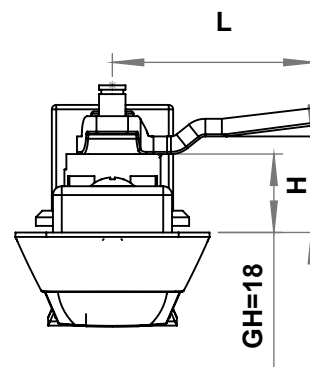
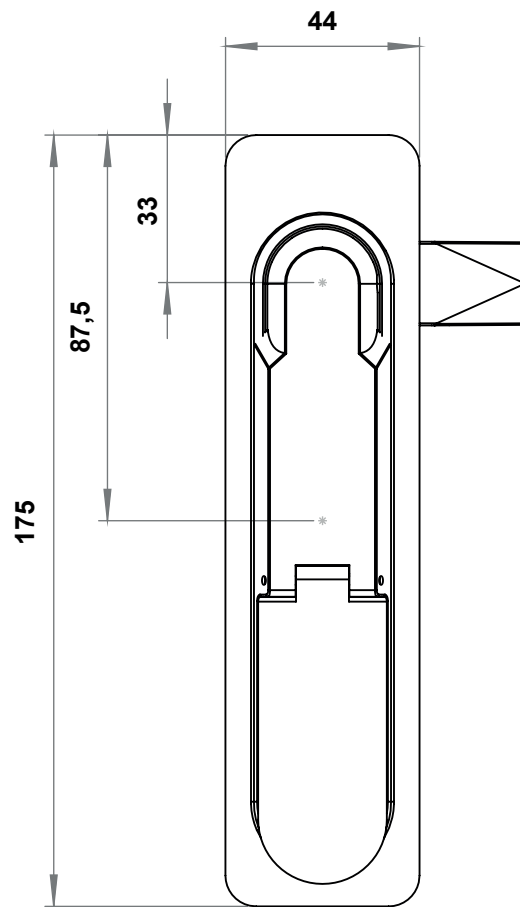
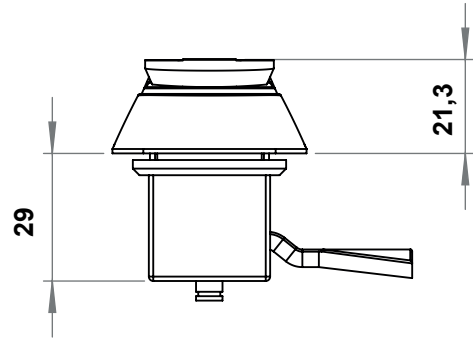
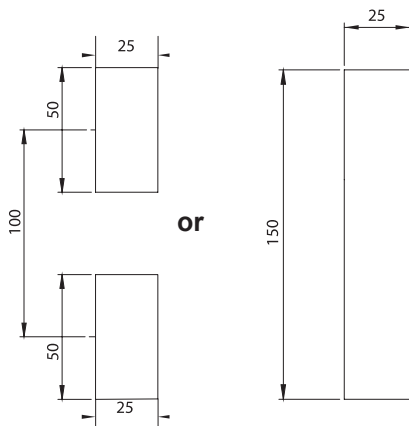


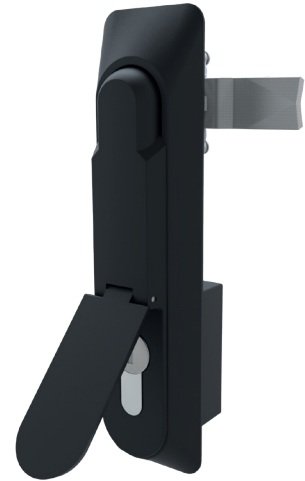
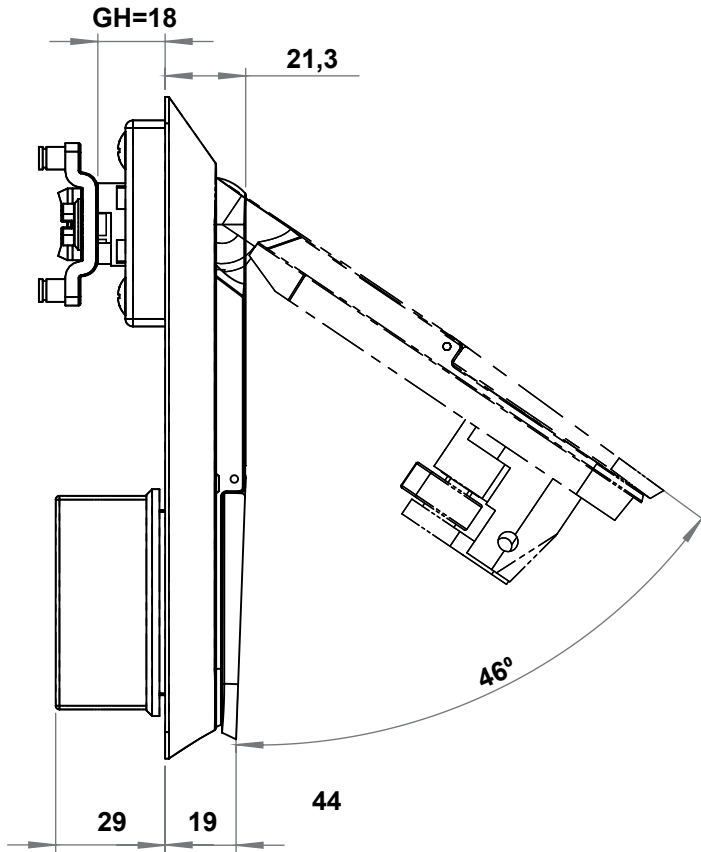
Swinghandles



- Suitable for DIN V ENV 16301:1999-04/WK2
- Push to Close
- Complete Metal

**CUTOUT**





Swinghandles

### 2137 - Swinghandle

Profile Cylinder Type		
	Double bit 3 mm	2137 - 031 - xxx
	Double bit 5 mm	2137 - 032 - xxx
	Triangular 7 mm	2137 - 037 - xxx
	Triangular 8 mm	2137 - 033 - xxx
	Triangular 9 mm	2137 - 039 - xxx
	Square 7 mm	2137 - 034 - xxx
	Square 8 mm	2137 - 035 - xxx
	Slotted	2137 - 038 - xxx

Suitable for your own profile cylinder (hole)	2137 - 000 - xxx
---	------------------

	Keyed 3333	2137 - 013 - xxx
	Keyed Same	2137 - 017 - xxx
	Keyed Differ	2137 - 019 - xxx

<b>PUSH LOCK</b> 	Keyed 3333	2137 - 713 - xxx
	Keyed Same	2137 - 717 - xxx
	Keyed Differ	2137 - 719 - xxx

You may chose the XXX section from the tables of cams with stopper.

### MATERIAL

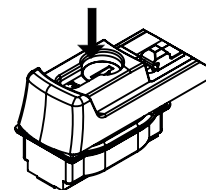
**Housing** : Zinc die, black coated  
**Handle** : Zinc die, black coated  
**Cover** : Zinc die, black coated

### OPTIONS

**Cams** :  
**Round Rods** :  
**Rod Guides** :

Suitable for Ts=1,5-2mm

### PUSH LOCK



If the key is in the open position, the handle is opened by pushing the cylinder

If the key is in closed position, than the handle can not be opened.

IP 65		LH/RH		RoHS	
-------	--	-------	--	------	--