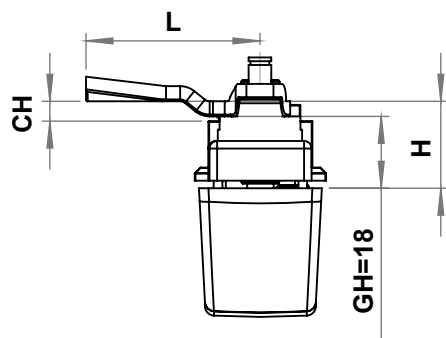
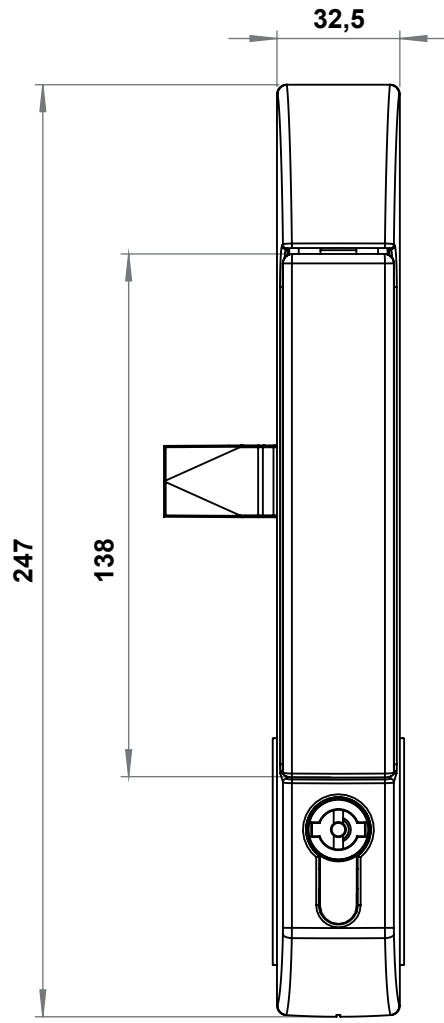
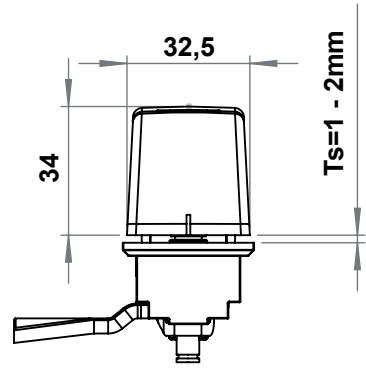
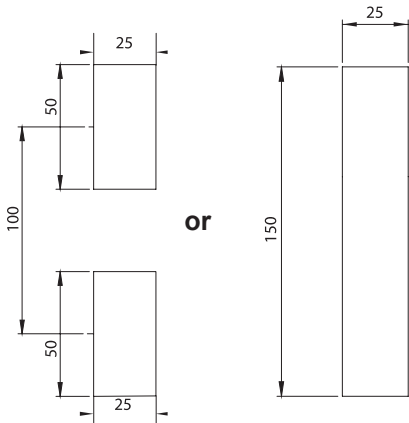
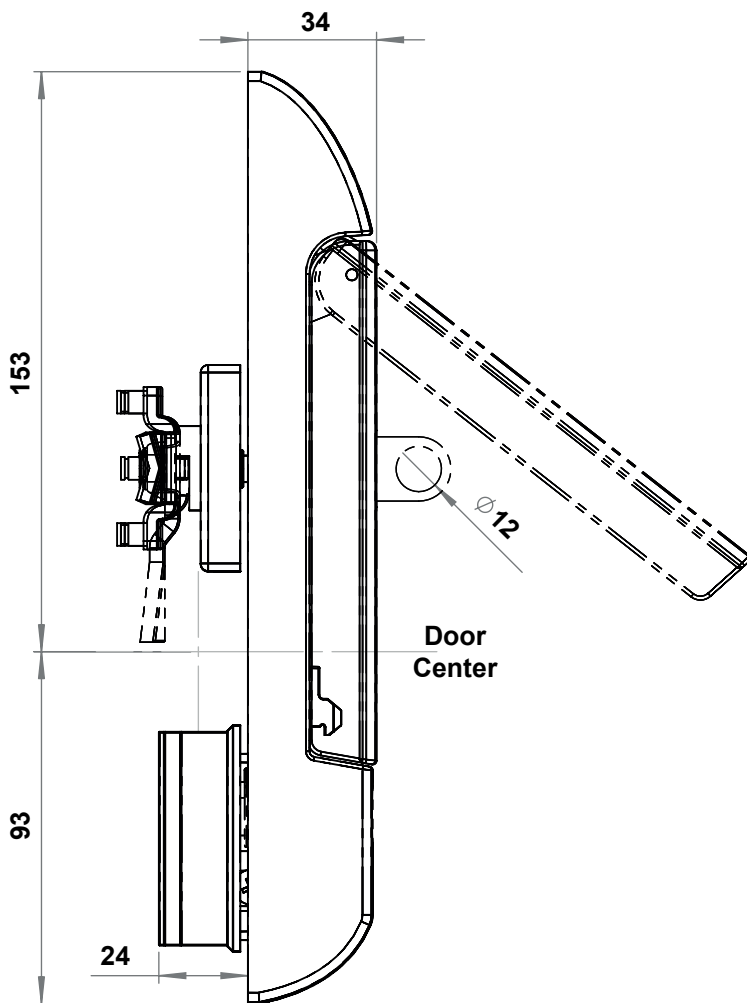


CUTOUT





2662 - Insert Type

		Plain	Padlock Applicable
	Double bit 3 mm	2662-031-XXX	2662-331-XXX
	Double bit 5 mm	2662-032-XXX	2662-332-XXX
	Triangular 7 mm	2662-037-XXX	2662-337-XXX
	Triangular 8 mm	2662-033-XXX	2662-333-XXX
	Triangular 9 mm	2662-039-XXX	2662-339-XXX
	Square 7 mm	2662-034-XXX	2662-334-XXX
	Square 8 mm	2662-035-XXX	2662-335-XXX
	Slotted	2662-038-XXX	2662-338-XXX

2662 - With Profile Cylinder

		Plain	Padlock Applicable
	Keyed 3333	2662-013-XXX	2662-313-XXX
	Keyed Same	2662-017-XXX	2662-317-XXX
	Keyed Differ	2662-019-XXX	2662-319-XXX

2662 - Push Lock

		Plain	Padlock Applicable
	Keyed 3333	2662-713-XXX	2662-813-XXX
	Keyed Same	2662-717-XXX	2662-817-XXX
	Keyed Differ	2662-719-XXX	2662-819-XXX



MATERIAL

Housing : Zinc die, black coated
Handle : Zinc die, black coated
Padlock Device : Stainless steel AISI 304

OPTIONS

Cam Adapters :
Cams :
Round Rods :
Rod Catchers :