

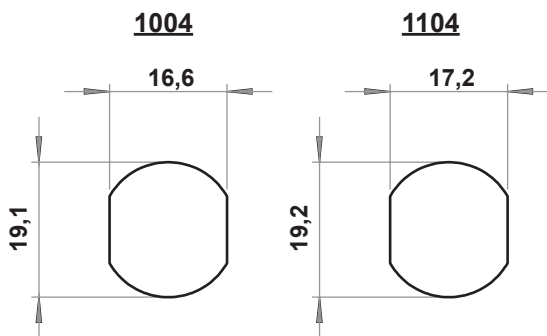
**Material**

Housing: Zinc die, chrome plated or black
Nut : Zinc die, zinc plated
Cam : Steel, zinc plated

Options

Cams :

Stock Code	XXX	CH	L	GH=20
1900-512,7	512,7	-7,3	20	12,7
1900-516,5	516,5	-3,5	34	16,5
1900-520S1	520S1	0	32	20
1900-520	520	0	35	20
1900-520S	520S	0	45	20
1900-522	522	2	35	22
1900-523,5	523,5	3,5	39	23,5
1900-527	527	7	42	27

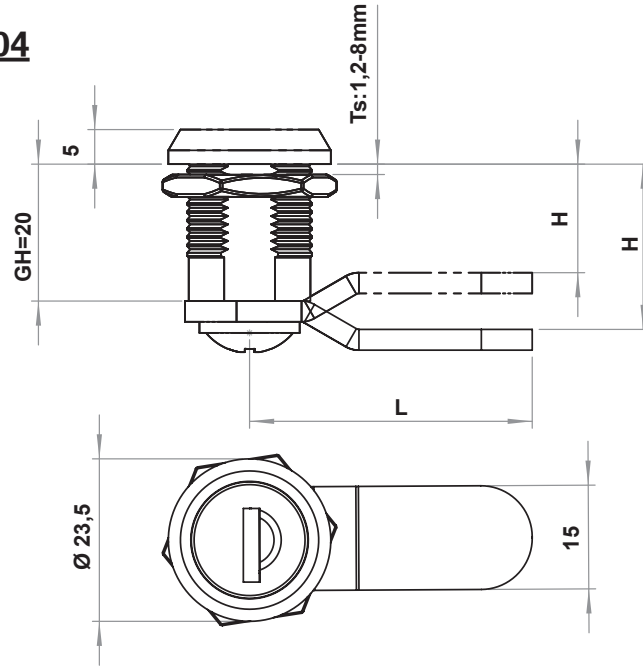
Cutout

IP 44



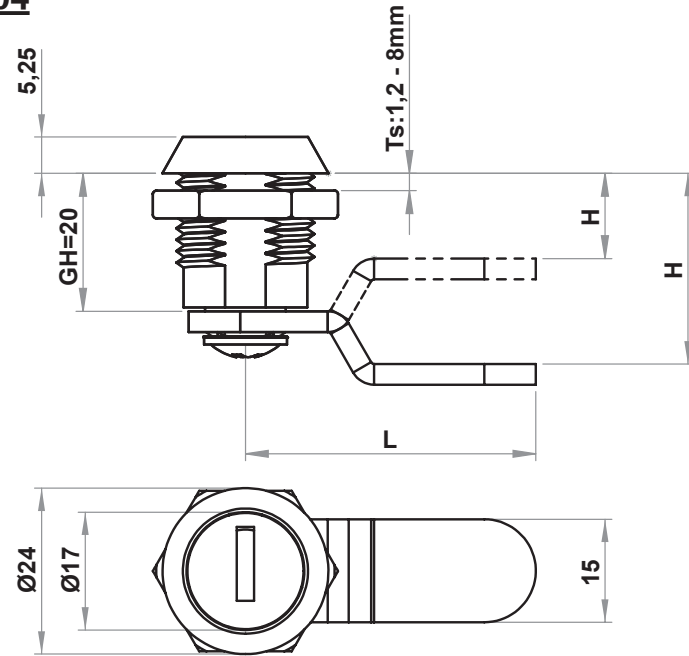
LH/RH

RoHS

1004**1004 - Keyed Quarter Turn**

	Chrome Plated	Black
3333 Keyed	1004 - 910 - XXX	1004 - 920 - XXX
Keyed Same	1004 - 917 - XXX	1004 - 927 - XXX
Keyed Differ	1004 - 919 - XXX	1004 - 929 - XXX

You may chose the XXX section, on the side of the page.

1104**1104 - Keyed Quarter Turn**

	Chrome Plated	Black
3333 Keyed	1104 - 910 - XXX	1104 - 920 - XXX
Keyed Same	1104 - 917 - XXX	1104 - 927 - XXX
Keyed Differ	1104 - 919 - XXX	1104 - 929 - XXX

You may chose the XXX section, on the side of the page.