

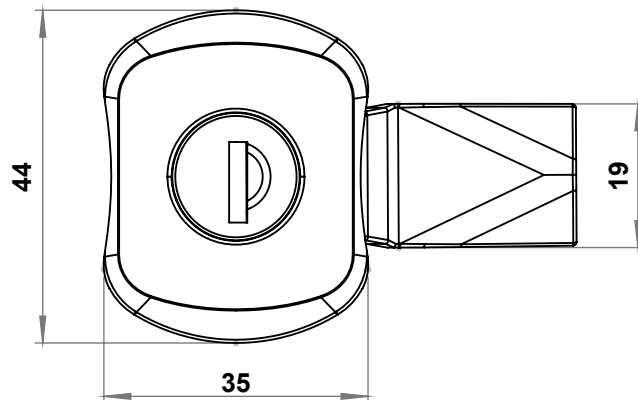
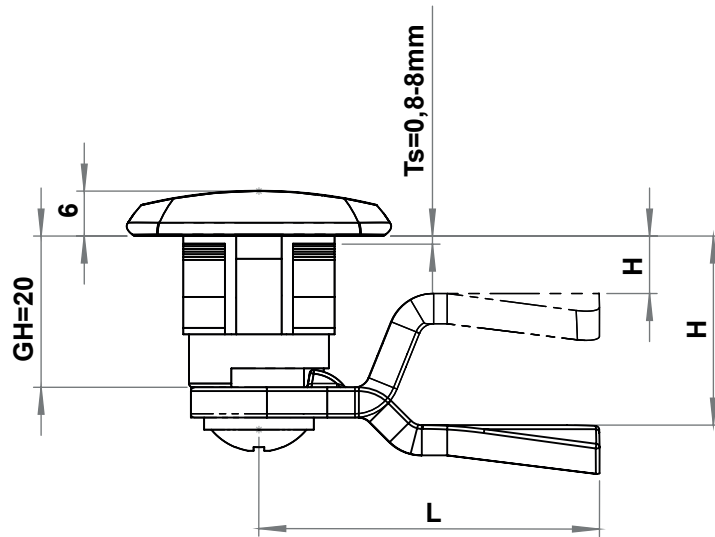
Quarter Turns

MATERIAL

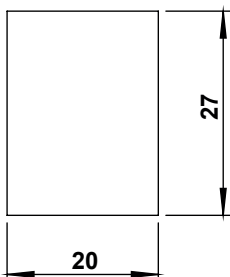
Housing: Polyamide (PA6 GFR30), black
Cam : Steel, zinc plated /
Polyamide (PA6 GFR30)

OPTIONS

Cams :



CUTOUT



1350 - Self fingerpull, Easy Assembly Keyed Quarter Turn GH=20

	Plastic (PA)
Keyed 3333	1350 - 900 - xxx
Keyed Same	1350 - 917 - xxx
Keyed Differ	1350 - 919 - xxx

You may chose the XXX section from tables of cams with stoper.

