

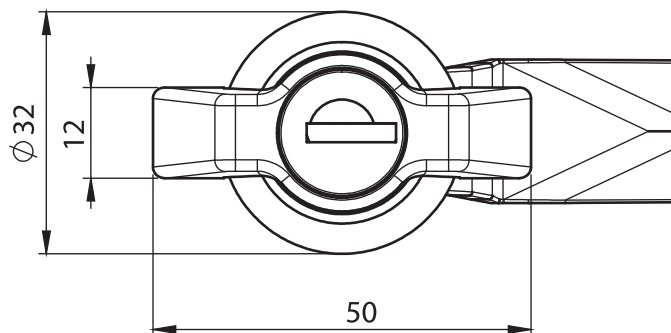
**Material**

**Housing and Insert** : Stainless Steel, AISI 316

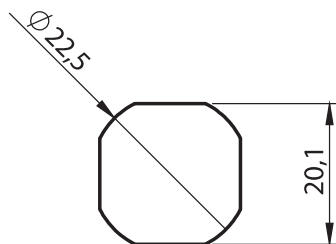
**Cam** : Stainless Steel, AISI 304

**Options**

**Cams** : Page 336



**Cut Out**



**1515 - Wing Knob with Cylinder GH=18**

|             | Item Number      |
|-------------|------------------|
| Non-Locking | 1515 - 500 - xxx |
| Keyed 3333  | 1515 - 503 - xxx |

You may chose XXX section from cam tables

IP 65



LH/RH