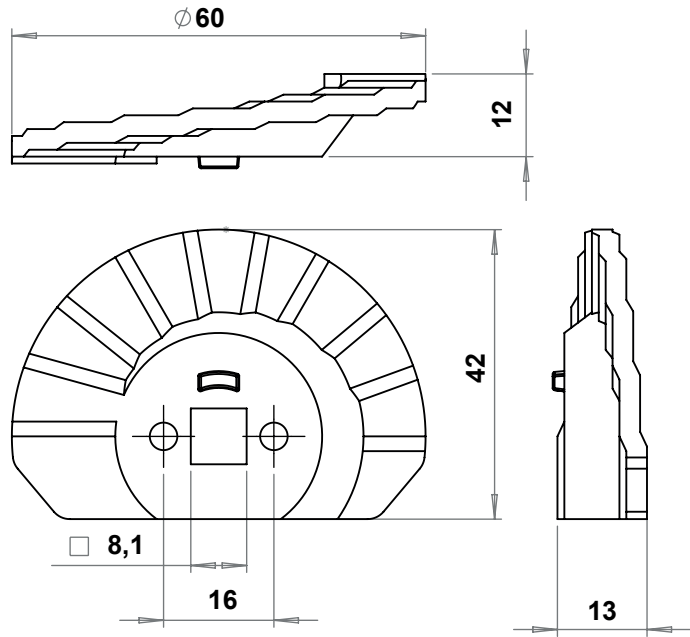
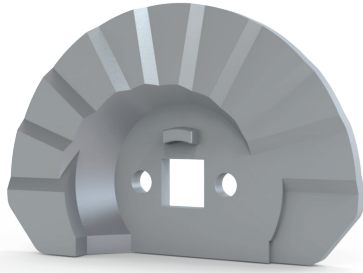


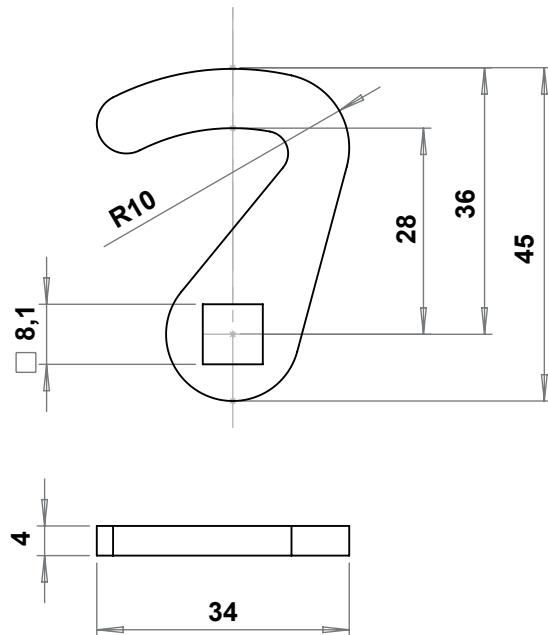
Stepped Cam



Material : Zinc die, zinc plated

Item Number
1900-601

Hooked Cam



Material : Steel, zinc plated

	Item Number	XXX
Without Stopper	1900-690	690
With Stopper	1900-790	790