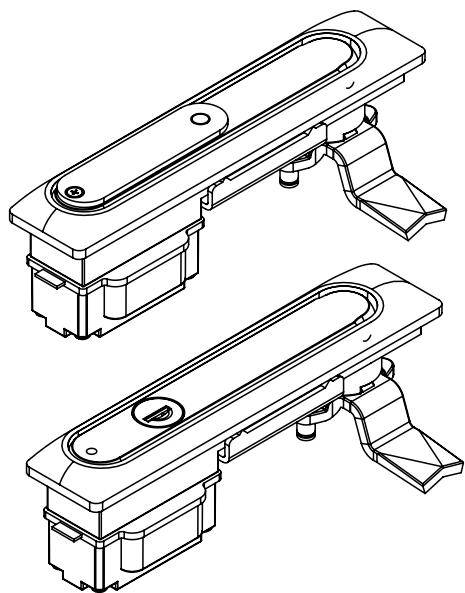
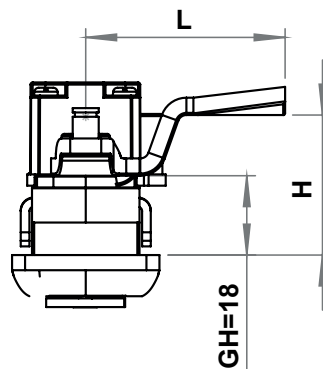
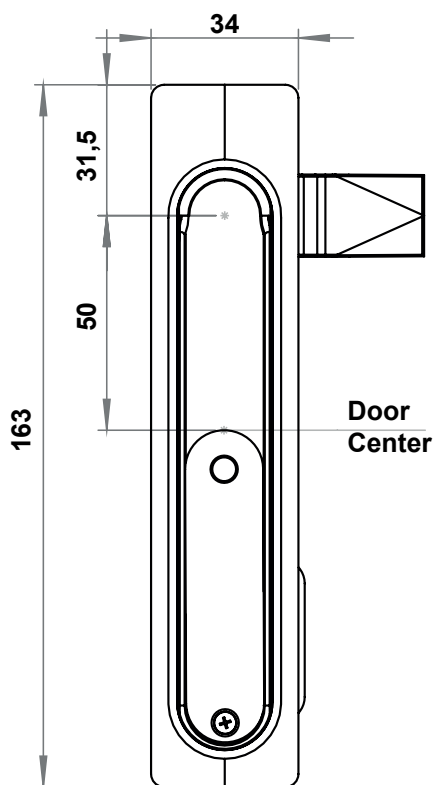
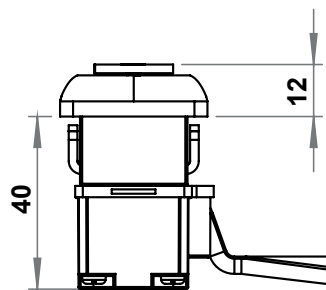
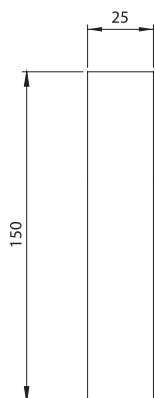


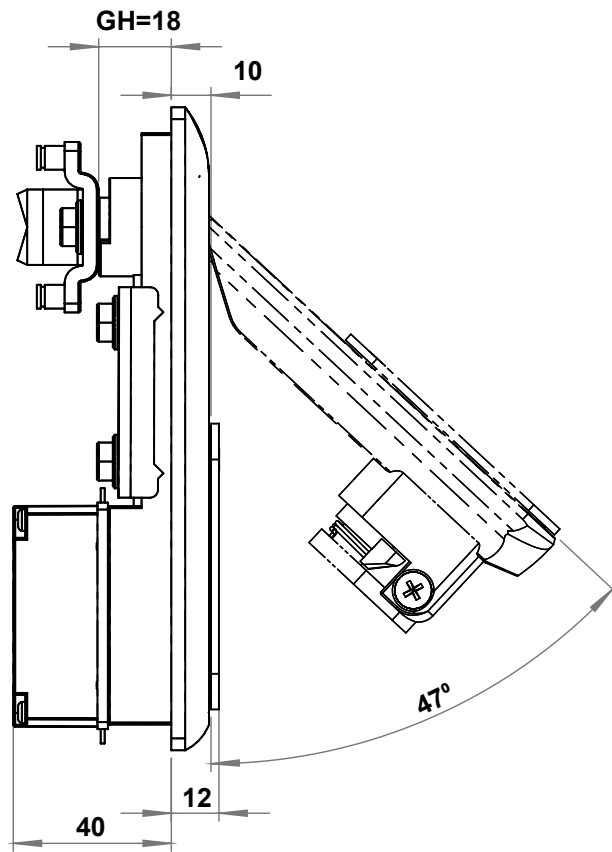
Swinghandles



- \* Push to Close
- \* Complete Metal
- \* Stainless Steel version is available

**CUTOUT**





### 2101 - Swinghandle (Zinc Die, Black Coated)

Profile Cylinder Type		No Dustcover	With Dustcover
	Double bit 3 mm	2101 - 031 - xxx	2101 - 131 - xxx
	Double bit 5 mm	2101 - 032 - xxx	2101 - 132 - xxx
	Triangular 7 mm	2101 - 037 - xxx	2101 - 137 - xxx
	Triangular 8 mm	2101 - 033 - xxx	2101 - 133 - xxx
	Triangular 9 mm	2101 - 039 - xxx	2101 - 139 - xxx
	Square 7 mm	2101 - 034 - xxx	2101 - 134 - xxx
	Square 8 mm	2101 - 035 - xxx	2101 - 135 - xxx
	Slotted	2101 - 038 - xxx	2101 - 138 - xxx
	Keyed 3333	2101 - 013 - xxx	2101 - 113 - xxx
	Keyed Same	2101 - 017 - xxx	2101 - 117 - xxx
	Keyed Differ	2101 - 019 - xxx	2101 - 119 - xxx

For the chrome plated version, please use 2121 code instead of 2101. You may chose the XXX section from the tables of cams with stopper.



Swinghandles

### MATERIAL

**Housing** : Zinc die, black coated or chrome plated

**Handle** : Zinc die, black coated or chrome plated

**Dustcover** : Steel, zinc plated

**Cam** : Steel, zinc plated

### OPTIONS

**Cams** :

**Round Rods** :

**Rod Guides** :

IP 65

Complete Zinc Die



LH/RH



RoHS