

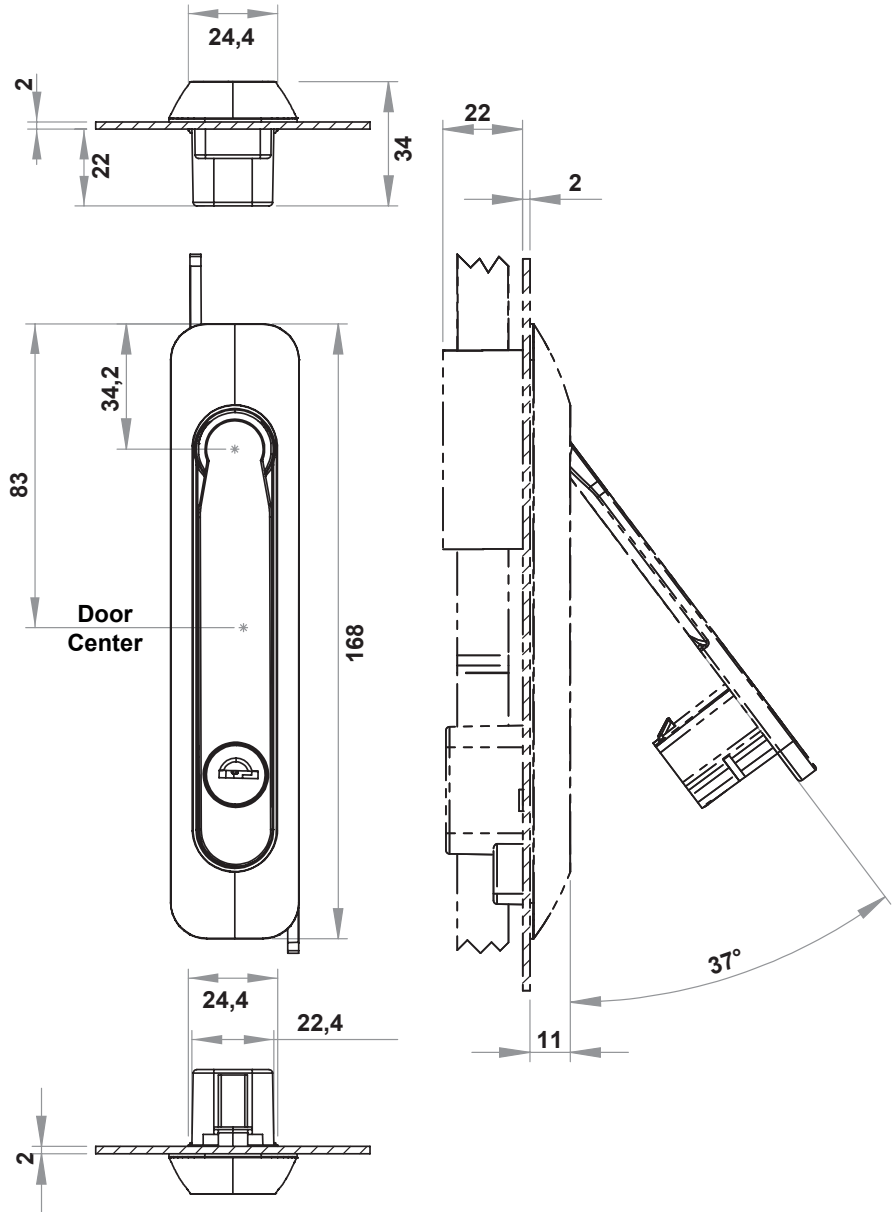
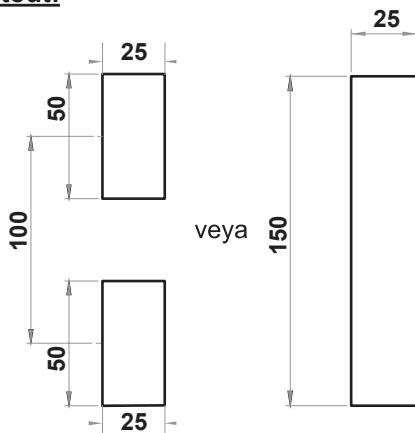
NEW!

**Material**

**Housing:** Polyamide (PA6 GFR30), black  
Zinc die, chrome plated or black  
**Handle :** Zinc die, chrome plated or black

**Options:**

**Cams :**  
**Round Rods :**  
**Rod Guides :**

**Cutout:****2118 / 2318 - Swinghandle**

	Lock Type	Housing: Zinc die Handle: Zinc die	Housing: Plastic Handle: Zinc die
	Non-Lock	2118-040-MK-XXX	2318-040-MK-XXX
	3mm Double bit	2118-041-MK-XXX	2318-041-MK-XXX
	5mm Double bit	2118-042-MK-XXX	2318-042-MK-XXX
	Triangle 7mm	2118-047-MK-XXX	2318-047-MK-XXX
	Triangle 8mm	2118-043-MK-XXX	2318-043-MK-XXX
	Triangle 9mm	2118-049-MK-XXX	2318-049-MK-XXX
	Square 7mm	2118-044-MK-XXX	2318-044-MK-XXX
	Square 8mm	2118-045-MK-XXX	2318-045-MK-XXX
	Slotted	2118-048-MK-XXX	2318-048-MK-XXX
	3333 Keyed	2118-023-MK-XXX	2318-023-MK-XXX
	Keyed same	2118-027-MK-XXX	2318-027-MK-XXX
	Keyed differ	2118-029-MK-XXX	2318-029-MK-XXX

You may chose the XXX section from the tables of cams with stopper.  
For the chrome plated version, please use 2318 code instead of 2328.

