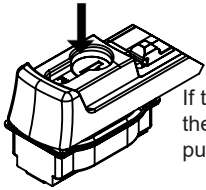


Rod Latch Systems

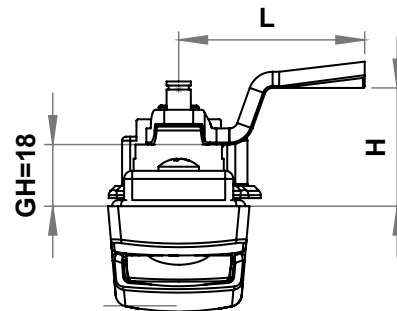
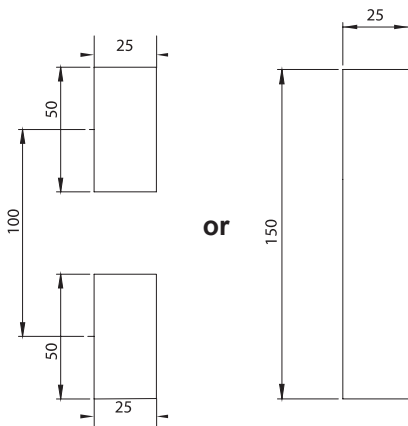
PUSH LOCK

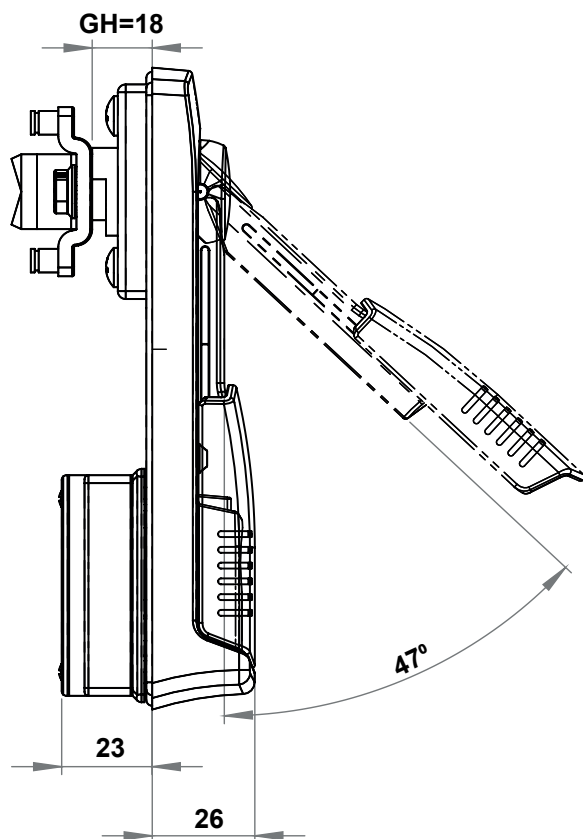


If the key is in "open" position, the handle is opened by pushing the cylinder

If the key is in "closed" position, the handle be opened.

CUTOUT





2213 - Swinghandle

Profile Cylinder Type		
	Hole(Empty)	2213 - 000 - MK - xxx
	Double bit 3 mm	2213 - 031 - MK - xxx
	Double bit 5 mm	2213 - 032 - MK - xxx
	Triangular 7 mm	2213 - 037 - MK - xxx
	Triangular 8 mm	2213 - 033 - MK - xxx
	Triangular 9 mm	2213 - 039 - MK - xxx
	Square 7 mm	2213 - 034 - MK - xxx
	Square 8 mm	2213 - 035 - MK - xxx
	Slotted	2213 - 038 - MK - xxx

	Keyed 3333	2213 - 013 - MK - xxx
	Keyed Same	2213 - 017 - MK - xxx
	Keyed Differ	2213 - 019 - MK - xxx

	Keyed 3333	2213 - 713 - MK - xxx
	Keyed Same	2213 - 717 - MK - xxx
	Keyed Differ	2213 - 719 - MK - xxx

You may chose the XXX section from the tables of cams with stopper.
You may chose the MK section from the rod latches pages



Rod Latch Systems

MATERIAL

Housing: Polyamide (PA6 GFR30), black
Handle : Polyamide (PA6 GFR30), black
Padlock Device : Polyamide (PA6 GFR30), black

OPTIONS

Rod Latch :
Rod Latch Cam Adapter :
Cams :
Flat Rods :
Rod Catchers :

IP 65	LH/RH	RoHS		Complete PA