



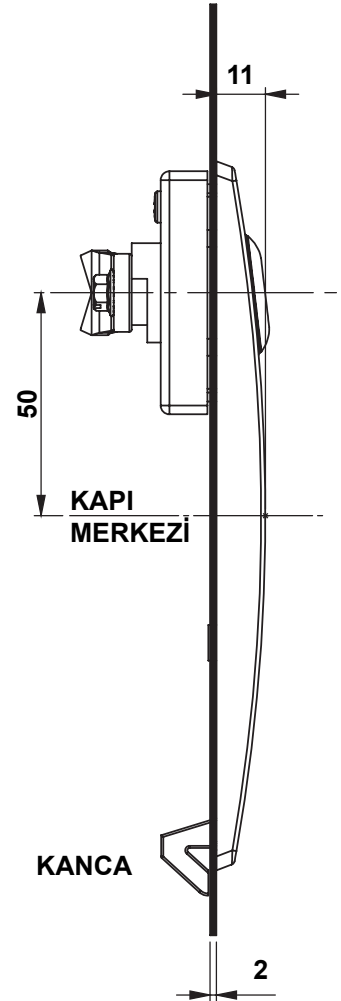
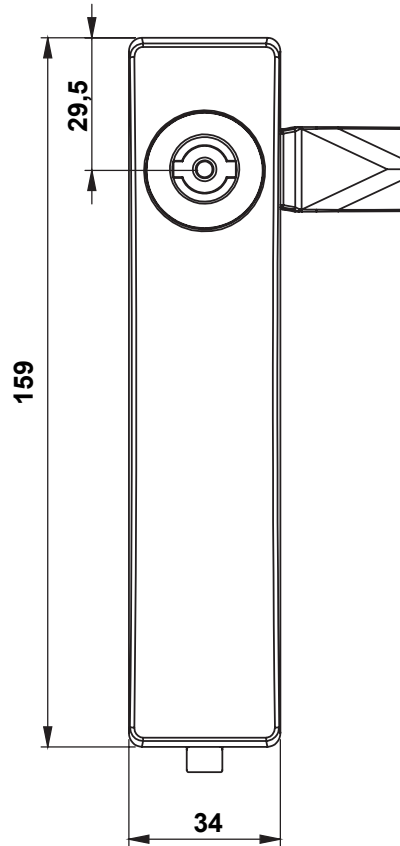
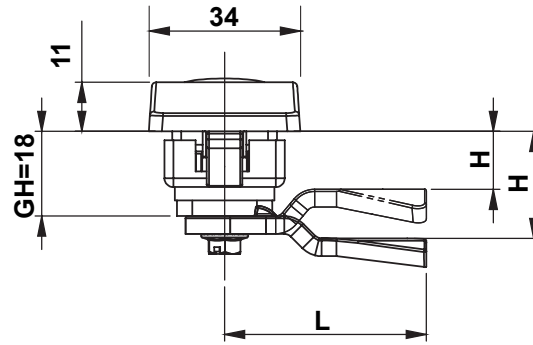
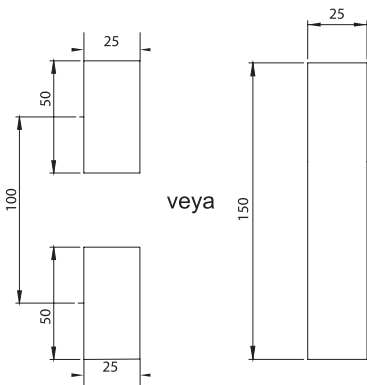
**MATERIAL**

**Housing:** Polyamide (PA6 GFR30), black  
**Insert** : Zinc die, chrome plated  
**Cam** : Plastic / Steel, zinc plated

**OPTIONS**

**Cams** :  
**Keys** :

**CUTOUT**



**2840 - Quarter Turn**

	Insert Types	GH=30
	Double Bit 3 mm	2840 - 201 - xxx
	Double Bit 5 mm	2840 - 202 - xxx
	Triangular 8 mm	2840 - 203 - xxx
	Triangular 9 mm	2840 - 209 - xxx
	Square 7 mm	2840 - 204 - xxx
	Square 8 mm	2840 - 205 - xxx
	Slotted	2840 - 208 - xxx
	Eastern Europe	2840 - 210 - xxx

You may chose the XXX section from tables of cams with stoper.

