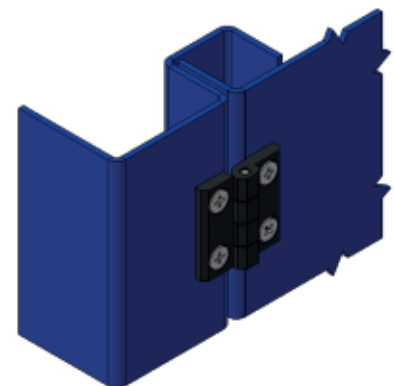


Hinges

Material:

Housing : Zinc die, chrome plated or black coated
Pin : Stainless steel AISI 304

* Stainless steel version is available.



3018 - 180° Hinge 30x30

	Zinc die, Raw	Zinc die, Black	Zinc die, Chrome Plated	Stainless steel AISI 316
Holes	3018 - 200	3018 - 210	3018 - 220	3018 - 500

RoHS



LH/RH