

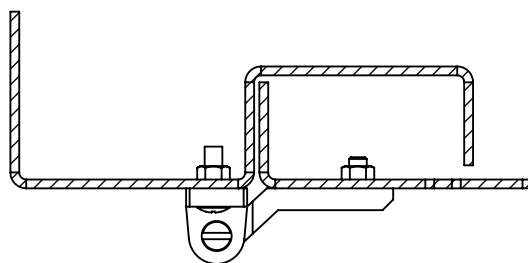
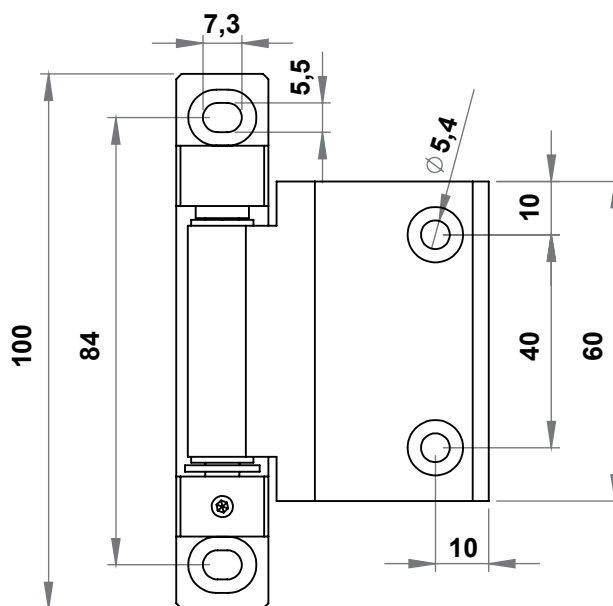
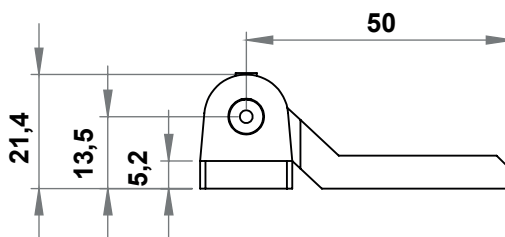
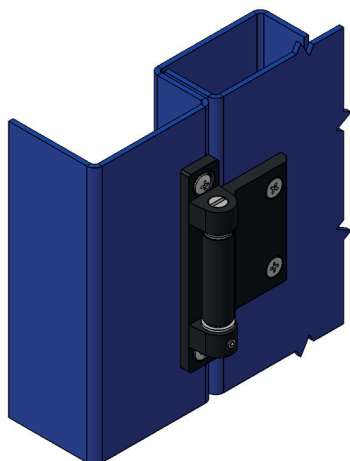


MATERIAL

Housing: Zinc die, chrome plated or black coated

Pin : Steel, AISI 304 Stainless steel

Pullar : Polyamide (PA6 GFR30)



3019 - 2D Adjustable 180° Hinge

	Zinc die Black coated	Zinc die Chrome Plated
RH	3019 - 210	3019 - 220
LH	3019 - 216	3019 - 226
Sabit Pin	3019 - 217	3019 - 227

The SS mark after the code means that the studs are stainless steel.

RoHS



LH

RH