

Hinges for Flat Doors

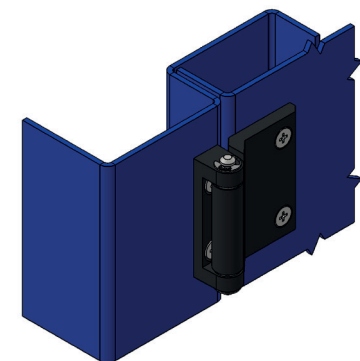
### MATERIAL

**Housing:** Zinc die, chrome plated or black coated

**Pin** : Steel / AISI 304 Stainless steel

**Pullar** : Polyamide (PA6 GFR30)

Stainless steel version is available



### 3021 - 180° Hinge

	Zinc die Black coated	Zinc die Chrome Plated
L=13,5 mm	3021 - 210	3021 - 220
L=23,5 mm	3030 - 210	3030 - 220

The SS mark after the code means that the studs are stainless steel.

RoHS



LH/RH