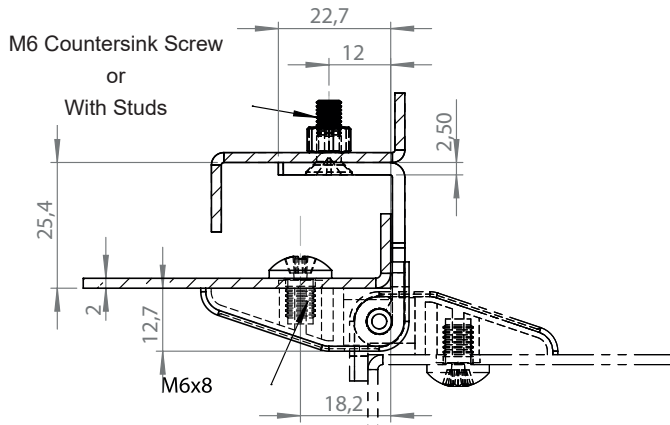
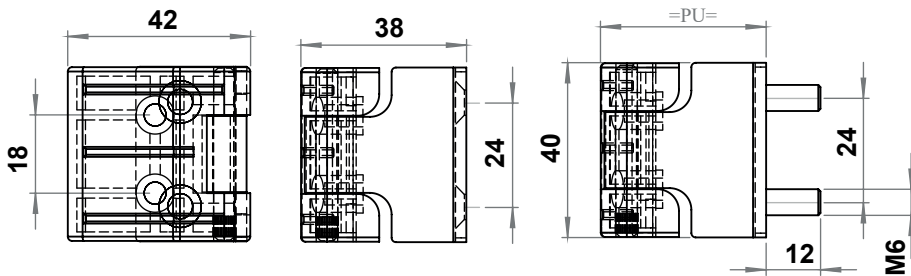


3041 - 180° Hinge

	Zinc die, Black coated	Zinc die, Chrome plated
Holes	3038 - 210	3038 - 220
Studs	3038 - 211	3038 - 221



3041 - 180° Hinge

	Zinc die, Black coated	Zinc die, Chrome plated
Holes	3041 - 210	3041 - 220
Studs	3041 - 211	3041 - 221



Corner Hinges

MATERIAL

Housing : Zinc die and Steel, black coated or chrome plated

Pin : Steel, zinc plated



RoHS



LH/RH