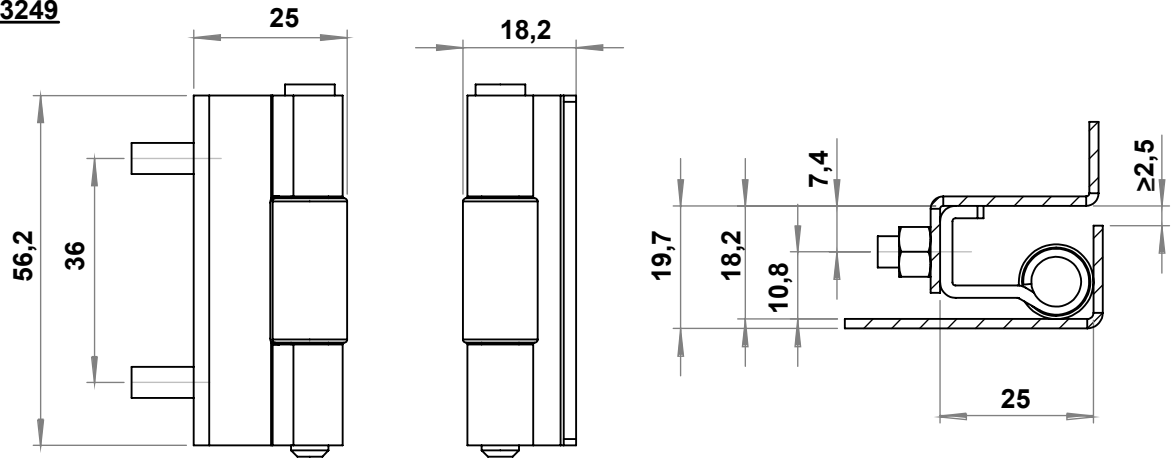
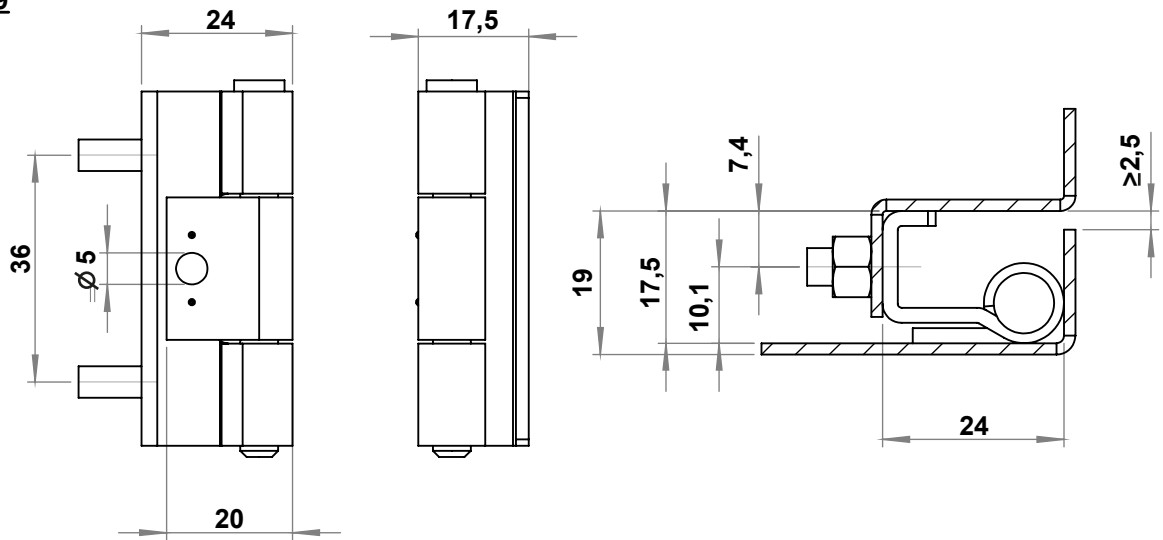


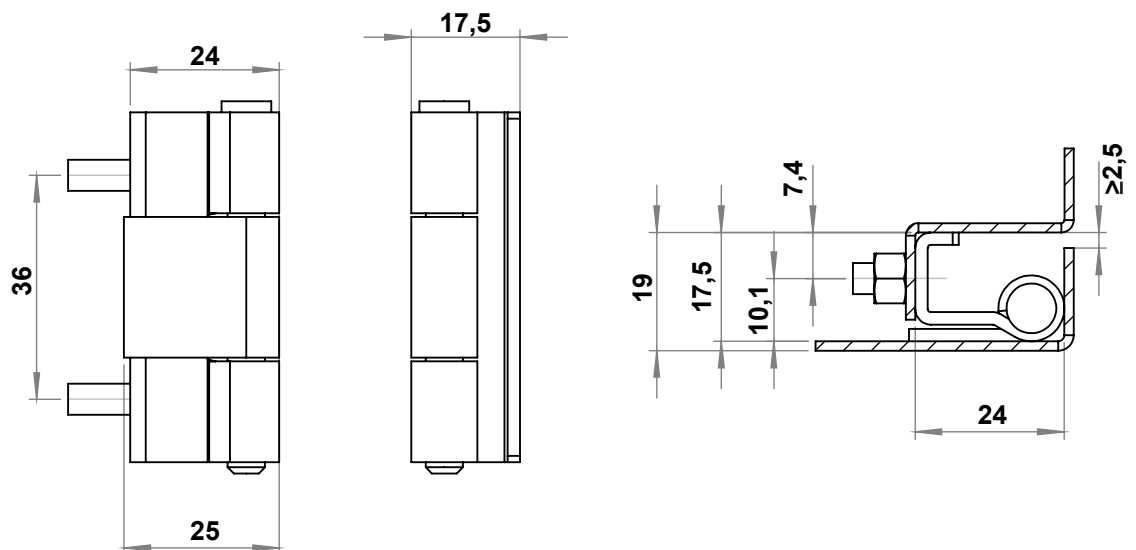
3249



3349

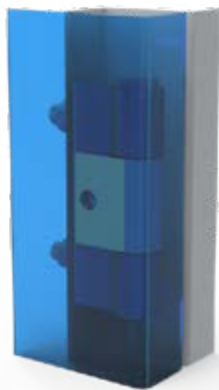
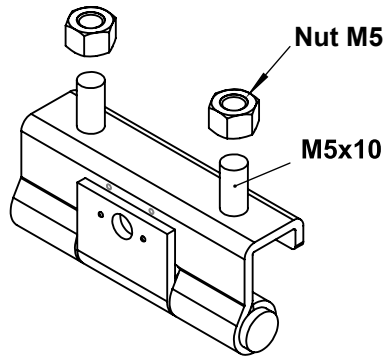
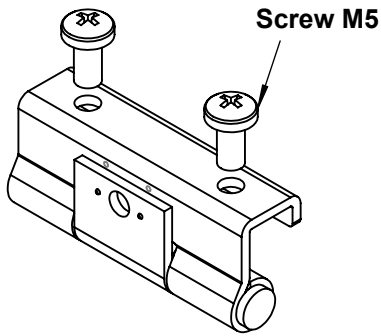
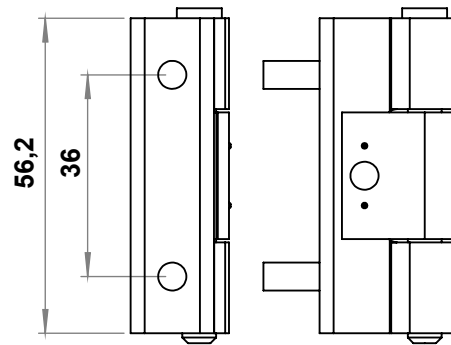
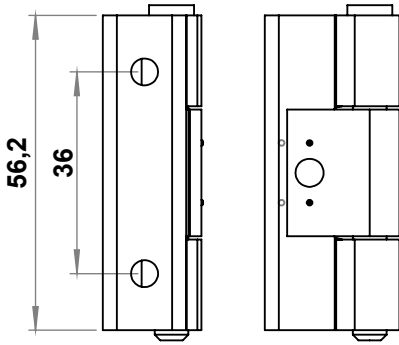


3049



Thread Cutted

With Screw



Hinges

Materials:

- Housing** : Steel, zinc plated
- Welding piece** : Steel, copper plated
- Pin** : Steel, zinc plated

3049 - 110° Concealed Hinge

Welding part type	Plain	With hole	Cylinder
	3049	3349	3249
Kendinden Civatalı	3049 - 351	3349 - 351	3249 - 351
Diş Çekilmiş Delikli	3049 - 350	3349 - 350	3249 - 350

LH/RH

