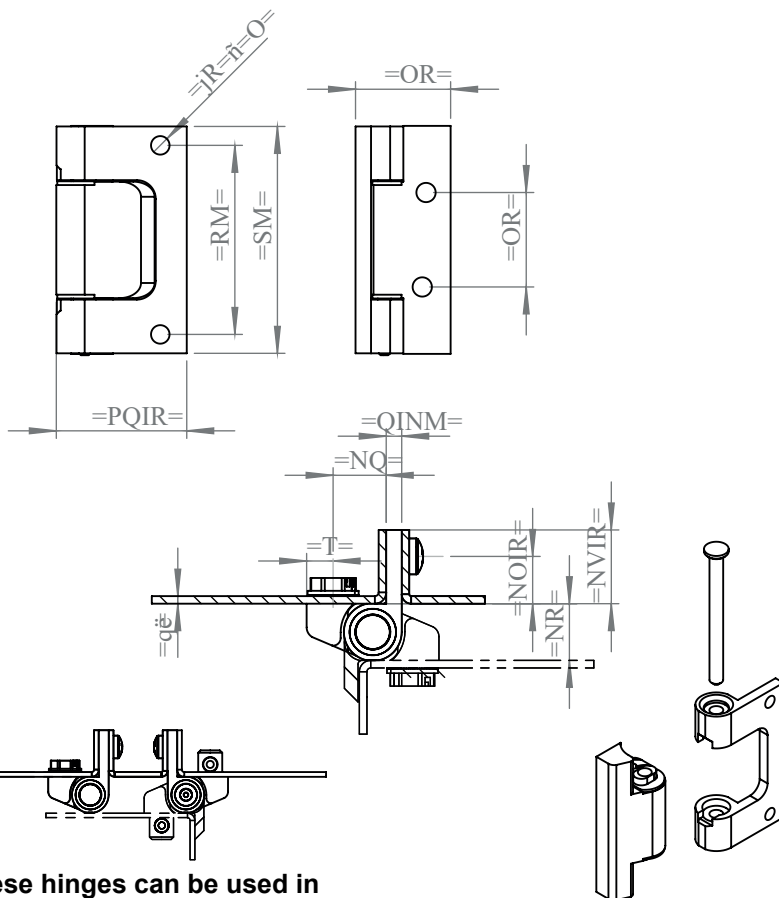


3056 - 180° Hinge

	Black coated	Zinc die, Chrome plated
Item Number	3056 - 210	3056 - 220



These hinges can be used in row cabinets.

Door can be taken out if the hinge turns 90°

3057 - 180° Hinge

	Zinc die, Black coated	Zinc die, Chrome plated
Item Number	3057 - 210	3057 - 220



Corner Hinges

MATERIAL

Housing : Zinc die, chrome plated or black coated
 Pin : Polyamide (PA), black

