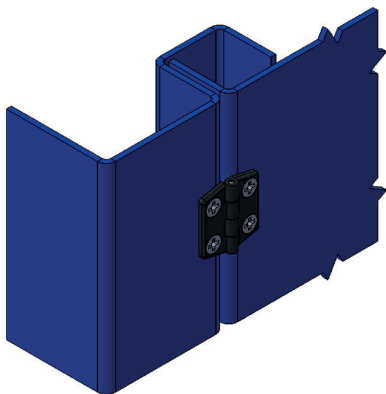


MATERIAL

Housing : Zinc die, chrome plated/ black coated or raw

Pin : Steel, zinc plated



3070 - 180° Hinge

	Zinc die Raw	Zinc die Black coated	Zinc die Chrome Plated
Item Number	3070 - 200	3070 - 210	3070 - 220


LH/RH
RoHS