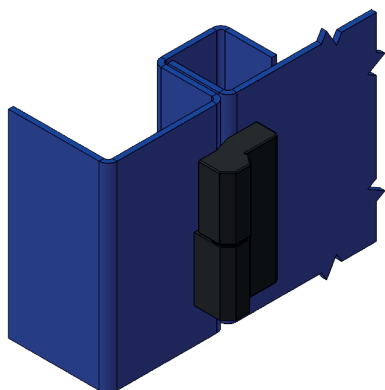


MATERIAL

Housing: Zinc die, chrome plated or black coated
Pin : Steel, zinc plated



3071 - 180° Lift-off Hinge

	Zinc die Raw	Zinc die Black coated	Zinc die Chrome Plated
RH	3071 - 200	3071 - 210	3071 - 220
LH	3171 - 200	3171 - 210	3171 - 220

