

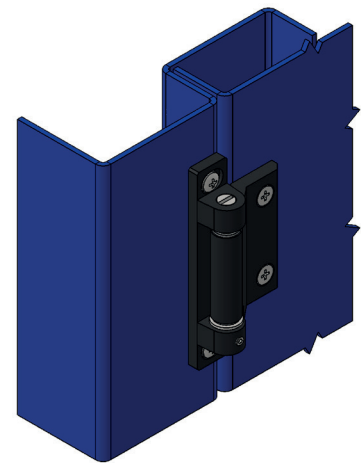
Hinges for Flat Doors

MATERIAL

Housing: Zinc die, chrome plated or black coated

Pin : Steel, AISI 304 Stainless steel

Pullar : Polyamide (PA6 GFR30)



3079 - 2D Adjustable 180° Hinge

	Zinc die Black coated	Zinc die Chrome Plated
RH	3079 - 210	3079 - 220
LH	3079 - 216	3079 - 226
Sabit Pin	3079 - 217	3079 - 227

The SS mark after the code means that the studs are stainless steel.

LH

RH

RoHS

