

3081 - 180° Hinge 50x63

	Zinc die, Raw	Zinc die, Black coated	Zinc die, Chrome Plated
Geniş parça 2 Holes	3081 - 200	3081 - 210	3081 - 220
Geniş parça 3 Holes	3181 - 200	3181 - 210	3181 - 220
With 4 Studs	3081 - 201	3081 - 211	3081 - 221

The SS mark after the code means that the studs are stainless steel.



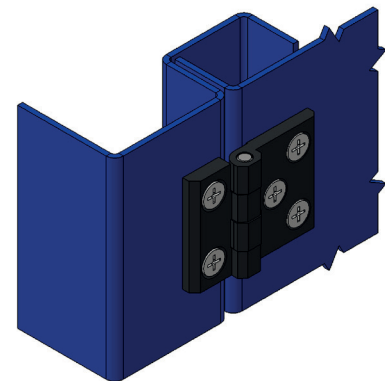
Hinges for Flat Doors

MATERIAL

Housing: Zinc die, chrome plated or black coated

Pin : AISI 304 Stainless steel

* Stainless steel version is available



RoHS



LH/RH