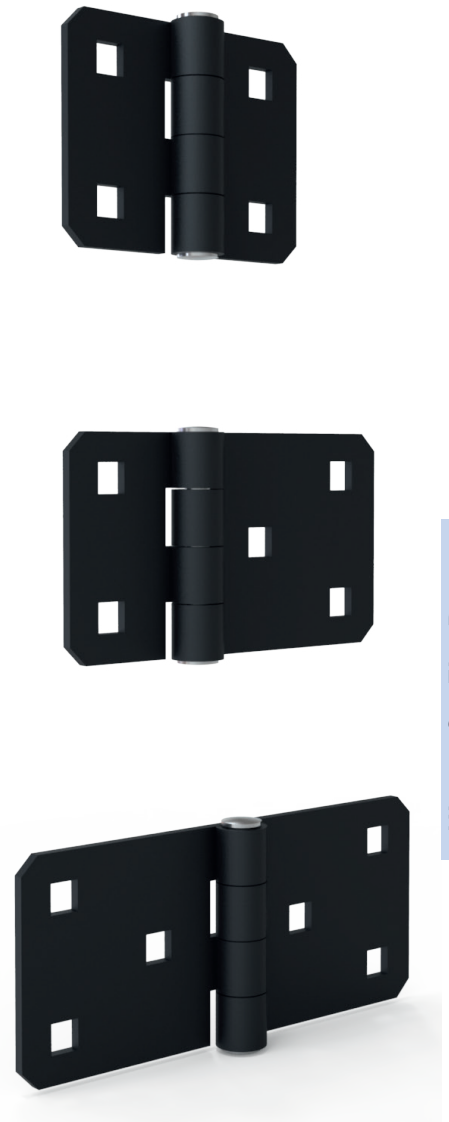


### 3114, 3113, 3093 - 180° Hinge

	Steel, Black coated	Stainless steel Steel
60 x 76	3114 - 310	3114 - 500
60 x 106	3113 - 310	3113 - 500
60 x 136	3093 - 310	3114 - 500

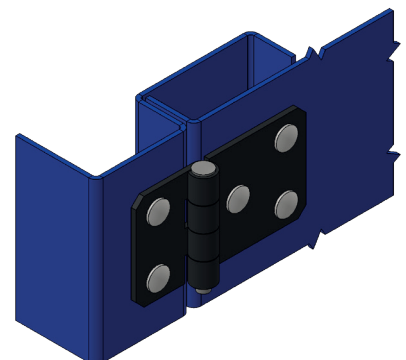
If you need the square head screws, please add-V to the end of the code.  
Exp: 3113-310-V



### MATERIAL

**Housing** : Steel, black coated /  
Stainless steel, AISI 304  
**Pin** : Stainless steel, AISI 303

**Note** : Pin is riveted.



Hinges for Flat Doors

RoHS



LR/LH