

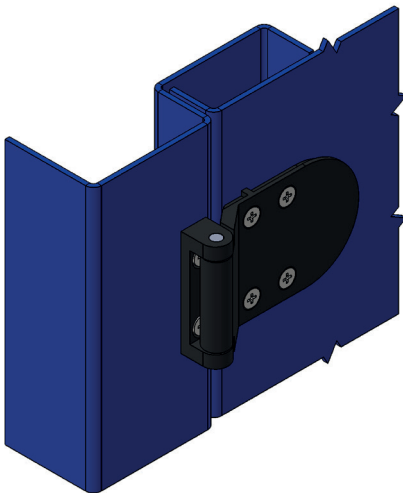
	Zinc die, Black coated
Item Number	3132-210

MATERIAL

Housing: Zinc die, chrome plated or black coated

Pin : Steel, AISI 304 Stainless steel

Pullar : Polyamide (PA6 GFR30)



3132 - 180° Hinge

	Zinc die, Black coated	Zinc die, Chrome Plated		Cover
Ürün kodu	3132-210	3132-220	Item Number	3132 - 001

The SS mark after the code means that the studs are stainless steel.