

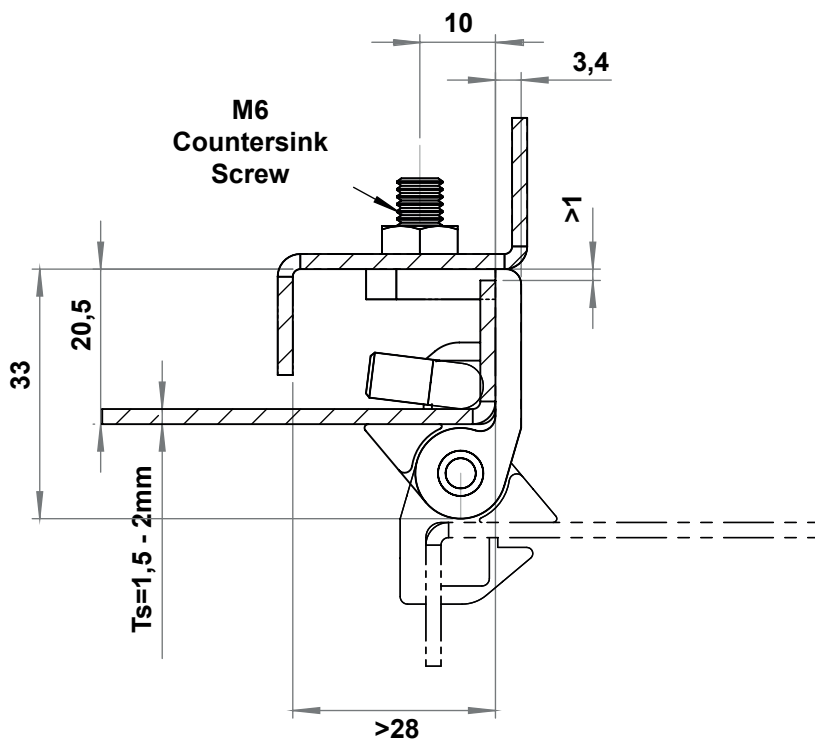
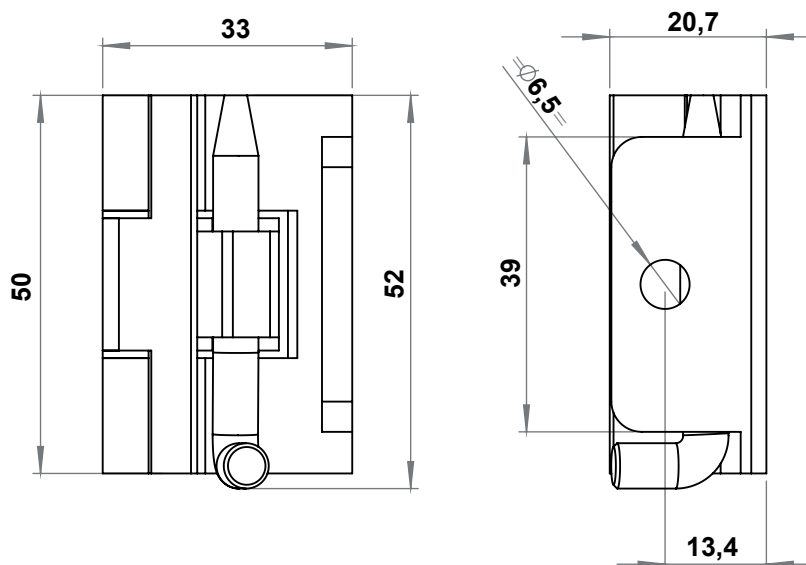


MATERIAL

Housing : Zinc die, chrome plate / black coated

Pin : Steel, zinc plated / Polyamide (PA) black

* Stainless steel andrsion is available



3183 - 180° Hinge

	Zinc die, Black coated	Zinc die, Chrome plated
Plastic Pin	3183-210	3183-220
Steel Pin	3183-213	3183-223

