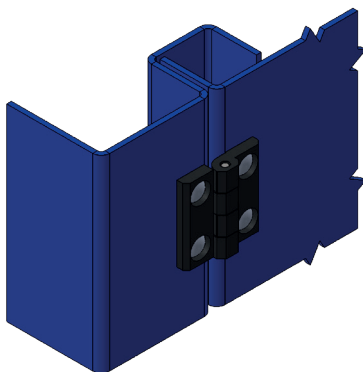
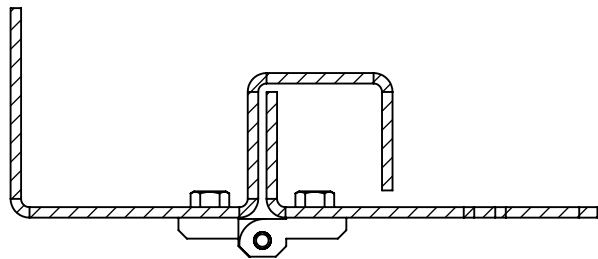
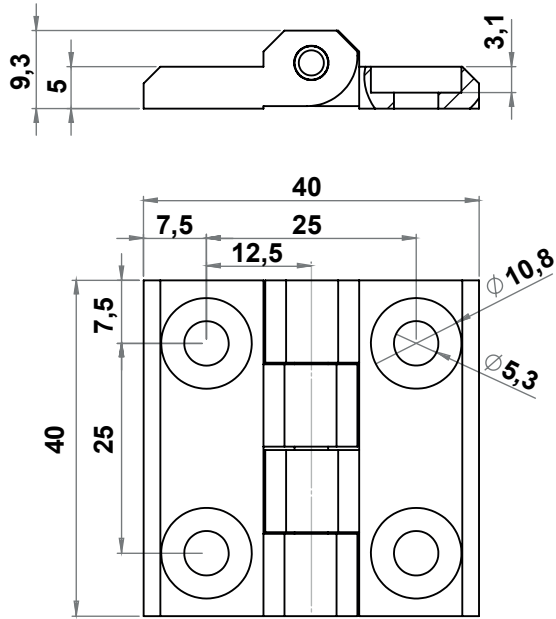


Hinges for Flat Doors

MATERIAL

Housing : Zinc die, chrome plated or black coated
or raw

Pin : Stainless steel, AISI 304



3801 - 180° Hinge 40x40

	Zinc die, Raw	Zinc die, Black coated	Zinc die, Chrome Plated
Holes	3801 - 200	3801 - 210	3801 - 220



LH/RH

RoHS