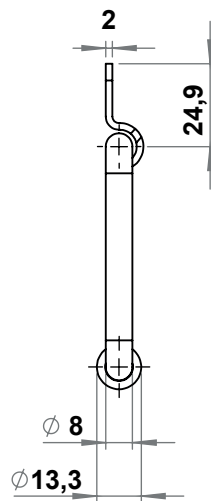
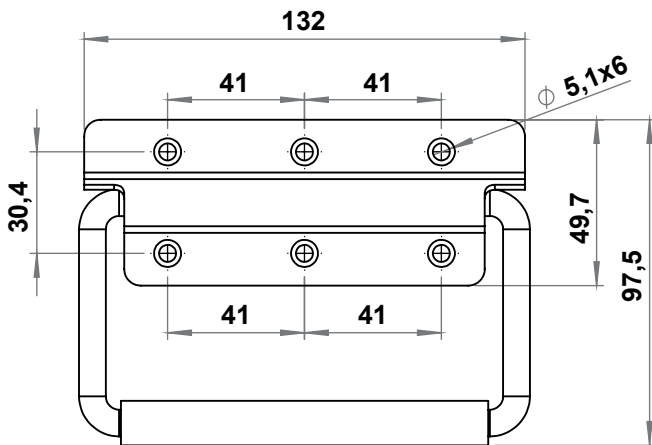


MATERIAL

Stainless steel AISI 304

4201 - Handle

Item Number	4201 - 500
-------------	------------



MATERIAL

Steel, zinc plated

Assembled with M5 countersink head screws.
Screw are not included.

4202 - Handle

Item Number	4202 - 330
-------------	------------