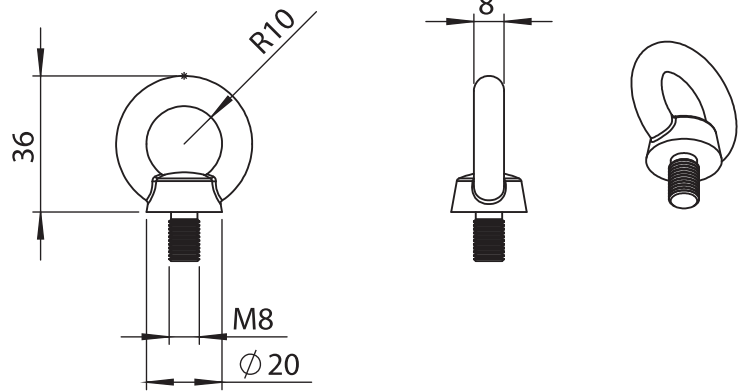


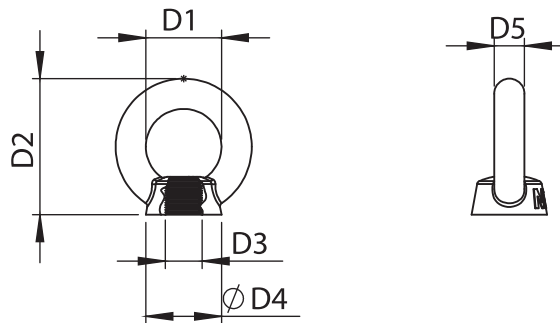
4901
Eyebolt



4901 - Eyebolt

Item Number	D3	Safety Loading (kg)	D2	D1	D4	L
4901 - 008	M8	140	20	36	20	49.0
4901 - 010	M10	230	25	45	25	63.0
4901 - 012	M12	340	30	54	30	73.5
4901 - 014	M14	490	35	63	35	87.0
4901 - 016	M16	700	35	63	35	89.0

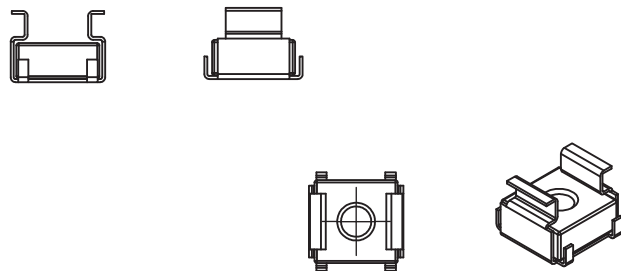
4902
Eyebolt



4902 - Eyebolt

Item Number	D3	Safety Loading (kg)	Capacity (kg)	D1	D4	D2	D5
4902 - 008	M8	140	0.06	20	20	36	8
4902 - 010	M10	230	0.09	25	25	45	10
4902 - 012	M12	340	0.16	30	30	53	12

4902
Cage Nut



4901 - Cage Nut

Item Number	Screw	Nut	Plate thickness	X	Y	Cut Out
4905 - 008	M8	11 x 11 x 4.5	1.7 - 2.5	36	20	49.0
4905 - 010	M10	11 x 11 x 4.5	2.5	45	25	63.0
4905 - 012	M12	14 x 14 x 5.5	3.3 - 4.1	54	30	73.5