

1. Blind cap

2. Shaft

3. Handle

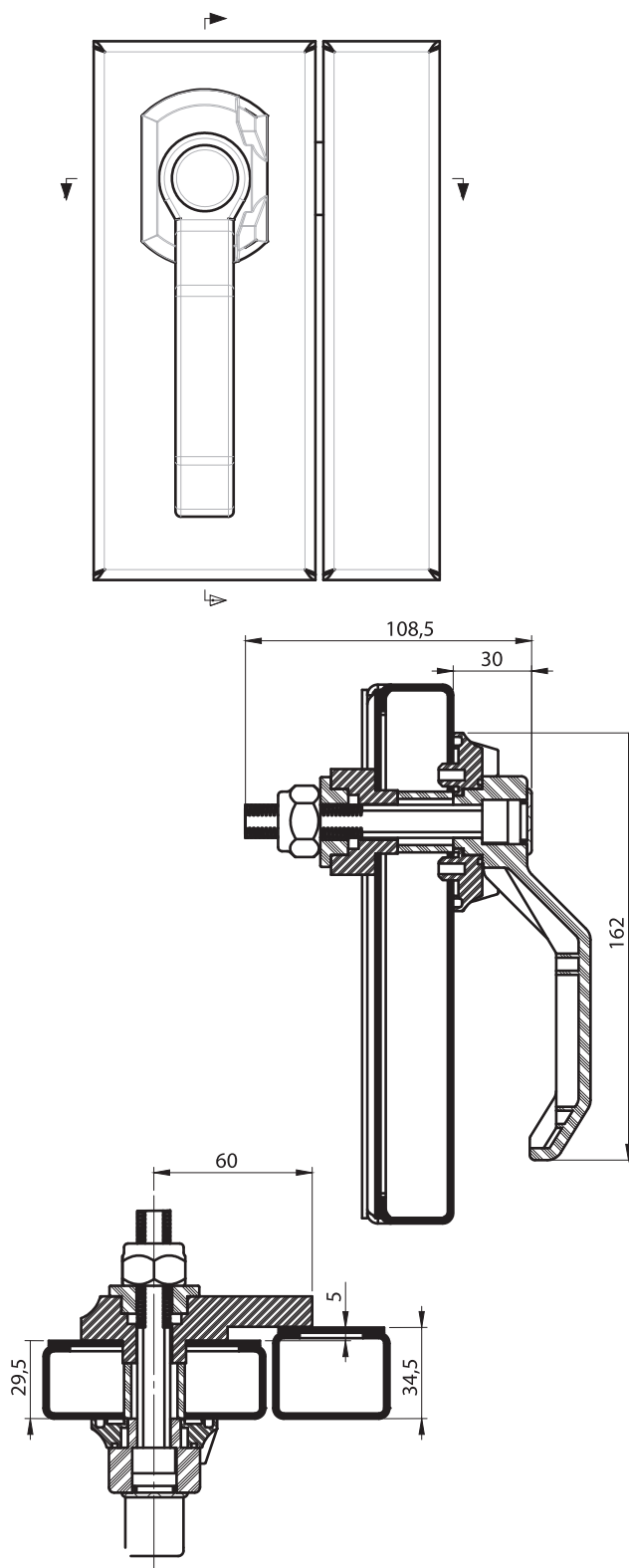
4. Outside Bezel

5. Tube

6. Cam

7. Cover

8. Nut



5100 - Heavy Duty Lock - Flat Cam

Max. Door Thickness	Outside Bezel Type		
	180°	90° right	90° left
30	5100 - 321	5100 - 521	5100 - 621
50	5100 - 322	5100 - 522	5100 - 622
70	5100 - 323	5100 - 523	5100 - 623

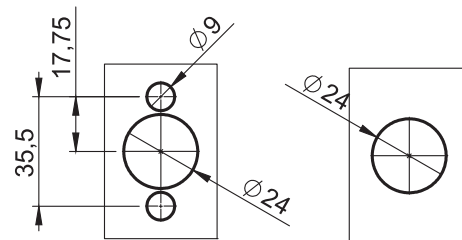


HVAC Locks and Accessories

Material

- Handle** : Polyamide (PA6 GFR30), black
- Bezel** : Polyamide (PA6 GFR30), black
- Cover** : Polyamide (PA6 GFR30), black
- Tube** : Polyamide (PA6 GFR30), black
- Cam** : Polyamide (PA6 GFR30), black
- Schaft** : Zinc die

Cutout



LH/RH