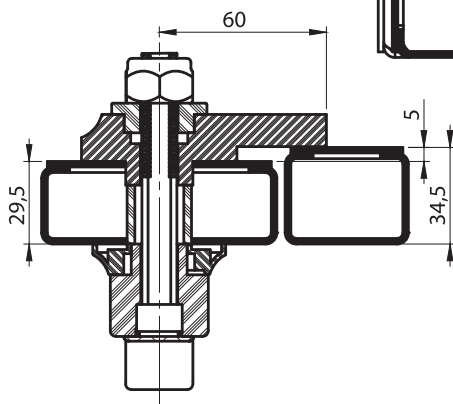
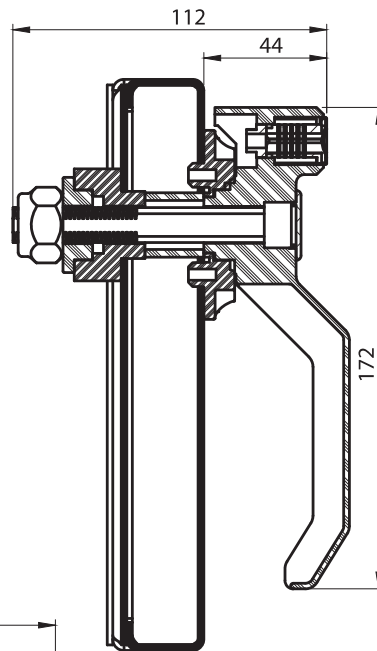
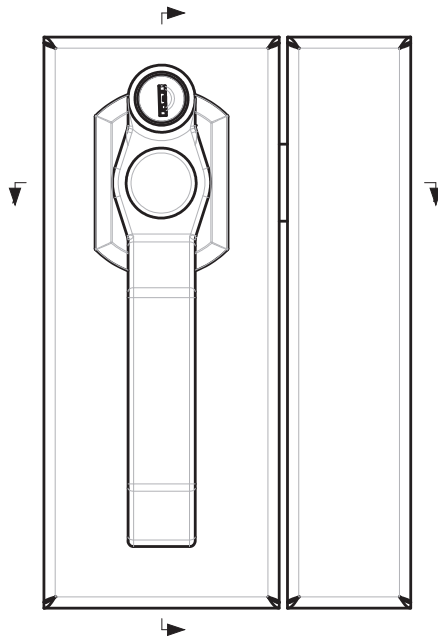


- | | |
|------------------|----------|
| 1. Blind cap | 5. Tube |
| 2. Schaft | 6. Cam |
| 3. Handle | 7. Cover |
| 4. Outside Bezel | 8. Nut |



5200 - Heavy Duty Lock - Flat Cam - Lockable Handle

Max. Door Thickness	
30	5200 - 221
50	5200 - 222
70	5200 - 223

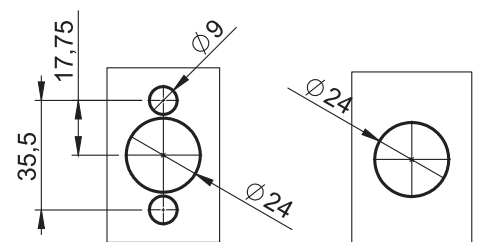


HVAC Lock and Accessories

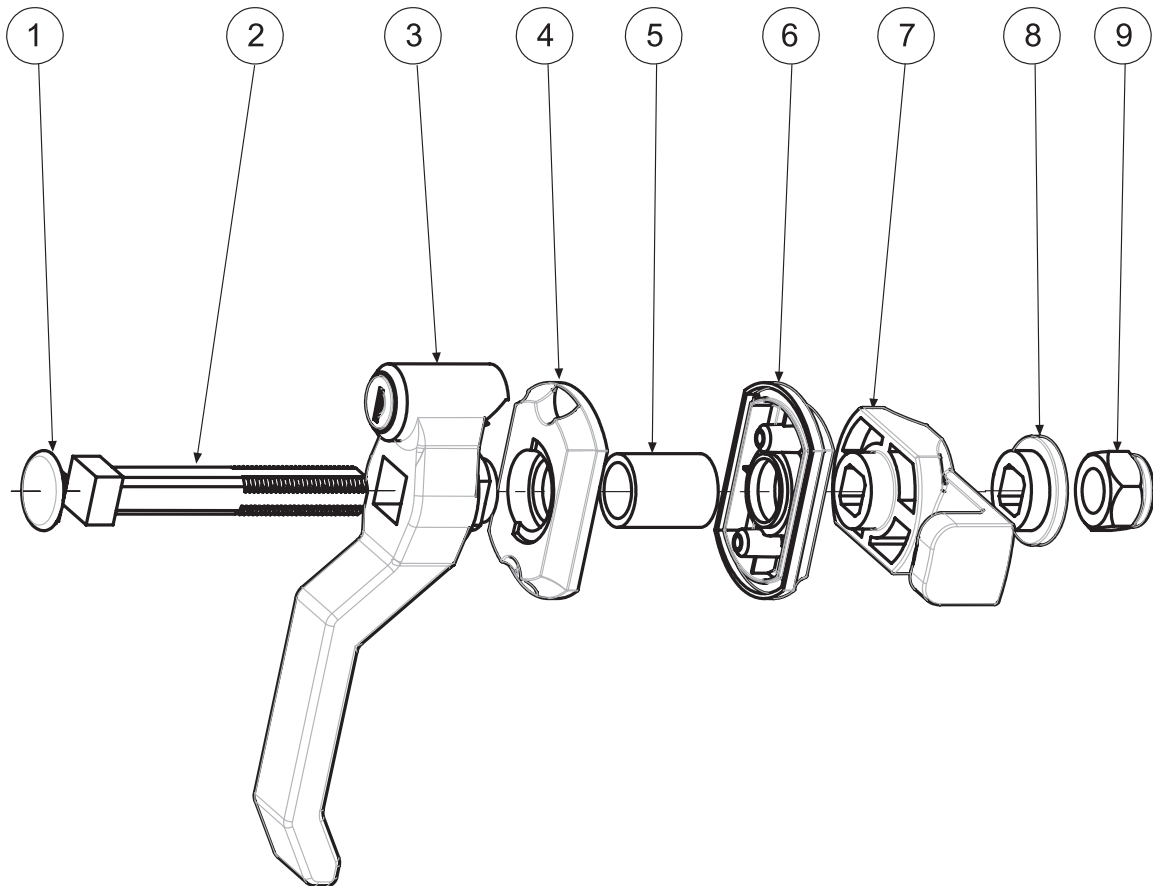
Material

- Handle** : Polyamide (PA6 GFR30), black
- Bezel** : Polyamide (PA6 GFR30), black
- Blind cap** : Polyamide (PA6 GFR30), black
- Tube** : Polyamide (PA6 GFR30), black
- Cam** : Polyamide (PA6 GFR30), black
- Bush** : Polyamide (PA6 GFR30), black
- Schaft** : Zinc die

Cutout



LH/RH



1. Blind cap

2. Schaft

3. Handle

4. Outside Bezel

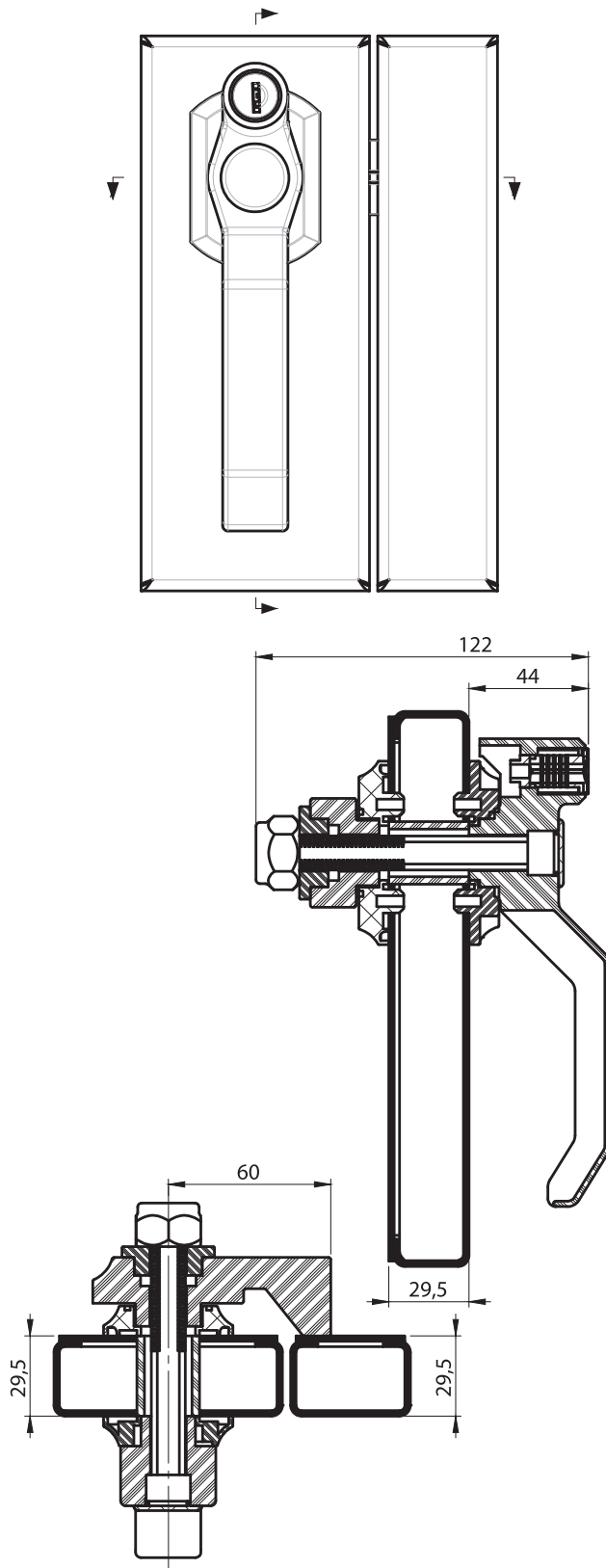
5. Tube

6. Inside Bezel

7. Cam

8. Cover

9. Nut



5200 - Heavy Duty Lock - Bended Cam - Lockable Handle

Max. Door Thickness	Back Bezel	
	Rectangular	Round
25	5200 - 511	5200 - 711
40	5200 - 512	5200 - 712
50	5200 - 513	5200 - 713



HVAC Lock and Accessories

Material

- Handle** : Polyamide (PA6 GFR30), black
- Bezel** : Polyamide (PA6 GFR30), black
- Blind cap** : Polyamide (PA6 GFR30), black
- Tube** : Polyamide (PA6 GFR30), black
- Cam** : Polyamide (PA6 GFR30), black
- Cover** : Polyamide (PA6 GFR30), black
- Schaft** : Zinc die



LH/RH