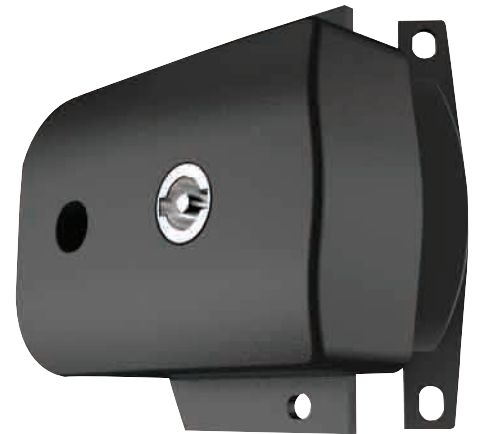
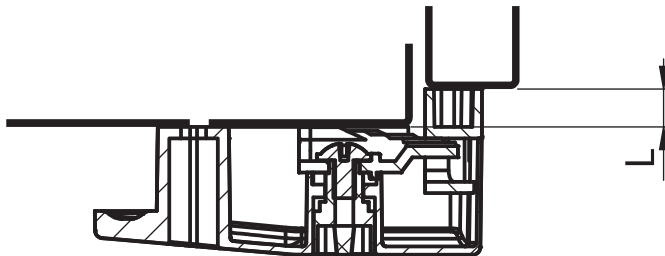
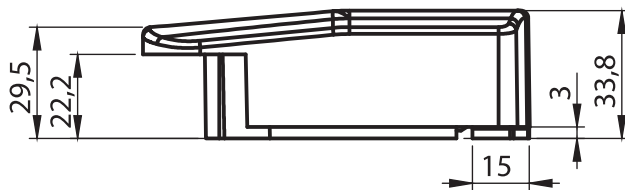
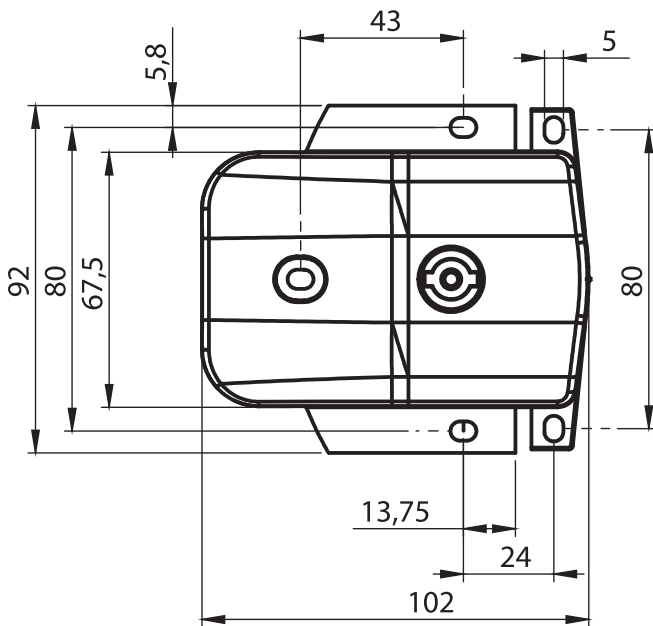


- 1. Housing
- 2. O-Ring
- 3. Insert

- 4. Stepped Cam
- 5. Screw
- 6. Catcher

\* Please see pages for Insert Types

\*\* Versions for different door thicknesses are available.



HVAC Locks and Accessories

### Material

- Housing** : Zinc die, black coated
- Catcher** : Zinc die, black coated
- Insert** : Zinc die, chrome plated
- Insert Cam** : Zinc die

### 5220 - Surface Mounted Door Lock - Metal

		L=0	L=10	L=20
	Double insert 3 mm	5220 - 001	5220 - 011	5220 - 021
	Double insert 5 mm	5220 - 002	5220 - 012	5220 - 022
	Triangular 7 mm	5220 - 007	5220 - 017	5220 - 027
	Triangular 8 mm	5220 - 003	5220 - 013	5220 - 023
	Triangular 9 mm	5220 - 009	5220 - 019	5220 - 029
	Square 7 mm	5220 - 004	5220 - 014	5220 - 024
	Square 8 mm	5220 - 005	5220 - 015	5220 - 025

IP 65

Complete Metal



LH/RH