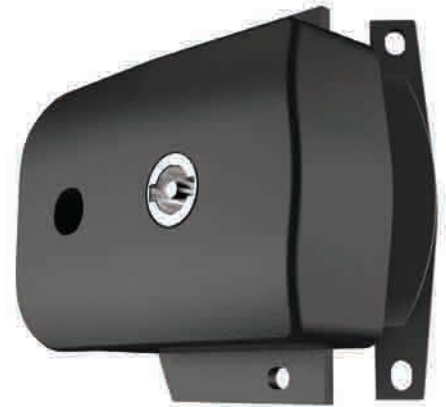
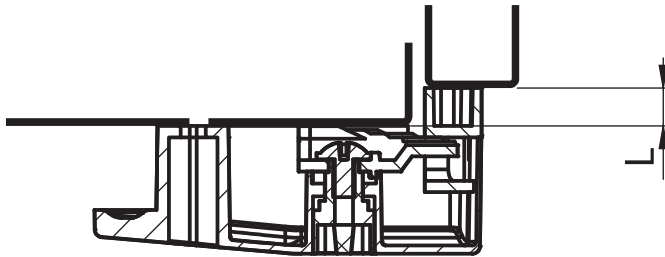
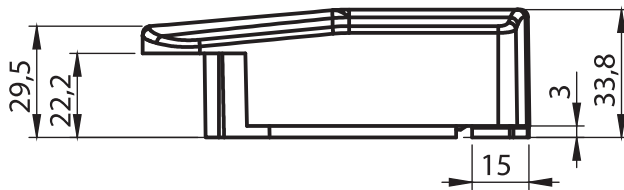
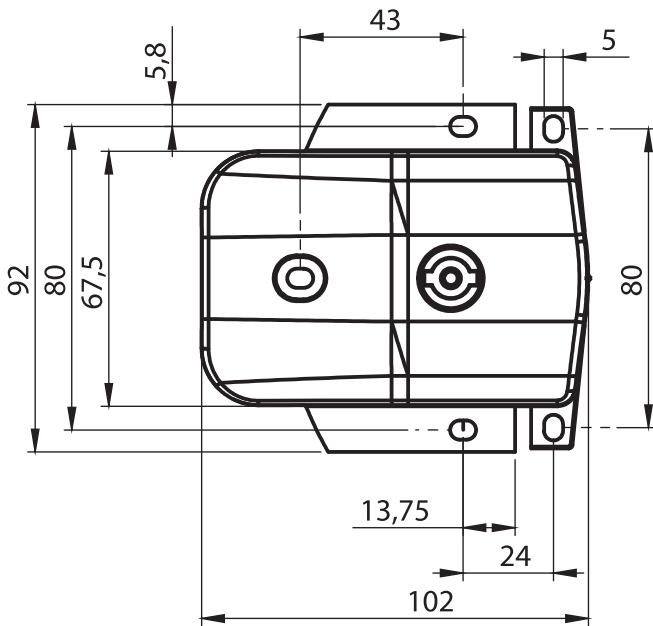


- 1. Housing
- 2. O-Ring
- 3. Insert

- 4. Stepped Cam
- 5. Screw
- 6. Catcher

* Please see pages for Insert Types

** Versions for different door thicknesses are available.



HVAC Locks and Accessories

Material

- Housing** : Polyamide (PA6 GFR30), black
- Catcher** : Zinc die, black coated
- Insert** : Zinc die, chrome plated
- Stepped Cam** : Zinc die

5230 - Surface Mounted Door Lock

		L=0	L=10	L=20
	Double insert 3 mm	5230 - 001	5230 - 011	5230 - 021
	Double insert 5 mm	5230 - 002	5230 - 012	5230 - 022
	Triangular 7 mm	5230 - 007	5230 - 017	5230 - 027
	Triangular 8 mm	5230 - 003	5230 - 013	5230 - 023
	Triangular 9 mm	5230 - 009	5230 - 019	5230 - 029
	Square 7 mm	5230 - 004	5230 - 014	5230 - 024
	Square 8 mm	5230 - 005	5230 - 015	5230 - 025

IP 65



LH/RH