

#### 5820 - Module Connection Part

	PA, Black	Zinc die, raw	Zinc die Black	Zinc die Zinc plated
Product Code	5820 - 100	5820 - 200	5820 - 210	5820 - 300

#### 5820 Connection Part



#### Material

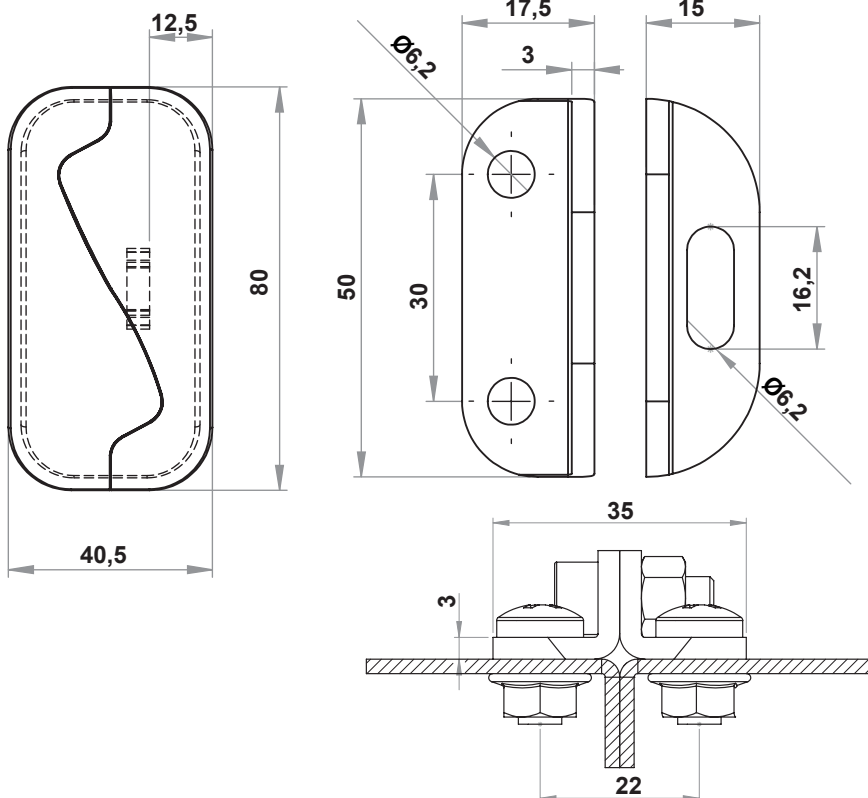
Housing : Plastic or Zinc die

\*Studs and nuts are not included



HVAC Locks and Accessories

#### Plastic Cover



#### 5821 - Module Connection Part

Product Code	5821 - 230
--------------	------------

#### 5821 Connection Part



#### Material

Housing : Steel, Zinc plated  
Cover : Polyamide (PA6 GFR30), black

\*Studs and nuts are not included

