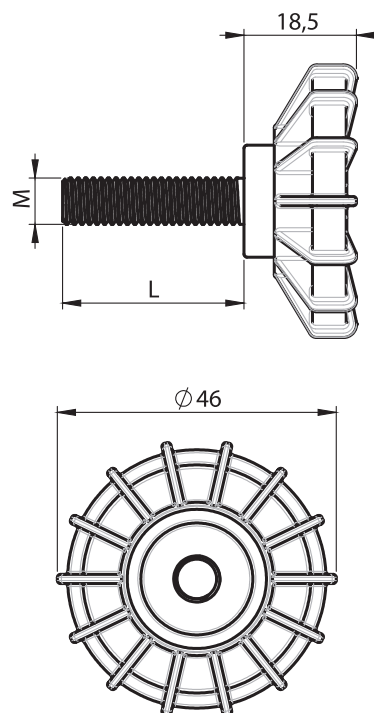


7101 Machine Feet



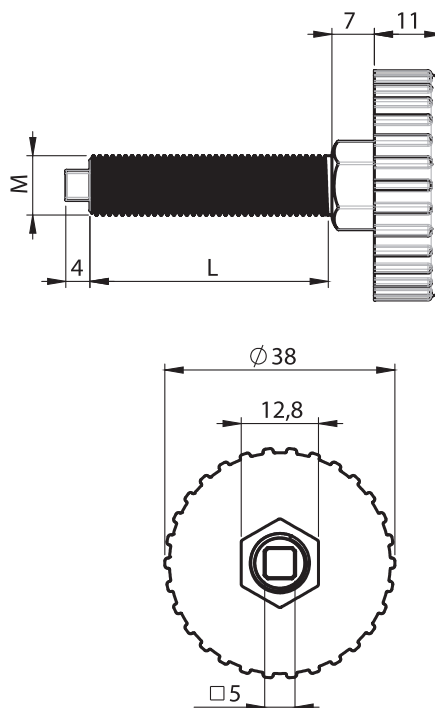
Material

Polypropylene, PP
Screw: Steel, zinc plated

7101 - Machine Feet

	M8, L=25	M8, L=30	M10,L=25
Standard Screw	7101 - 011	7101 - 012	7101 - 021
Socket Head Screw	7101 - 001	7101 - 002	7101 - 003

7102 Machine Feet



Material

Polypropylene, PP
Screw: Steel, zinc plated

7102 - Machine Feet

	M8, L=25	M8, L=30	M10,L=25
Standard Screw	7102 - 001	7102 - 002	7102 - 003
Socket Head Screw	7102 - 011	7102 - 013	7102 - 012