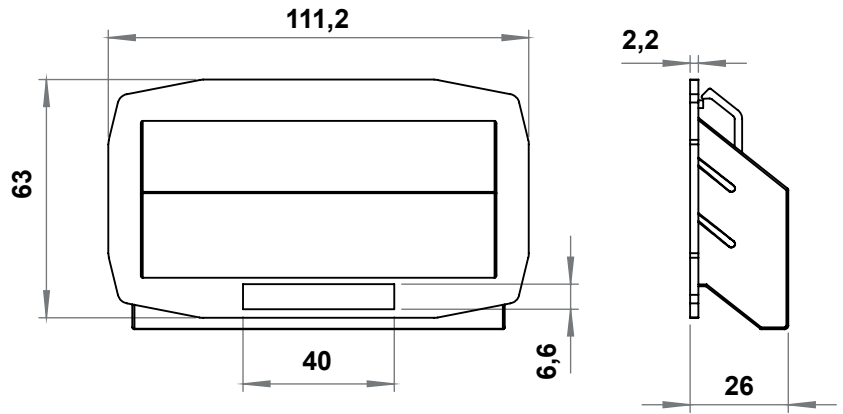




Material

Polyamide (PA6), black

Cutout



7204 - Handle

	Ts=0.8-1.2 mm	Ts=1.2-1.6 mm
Item Number	7204 - 001	7204 - 002

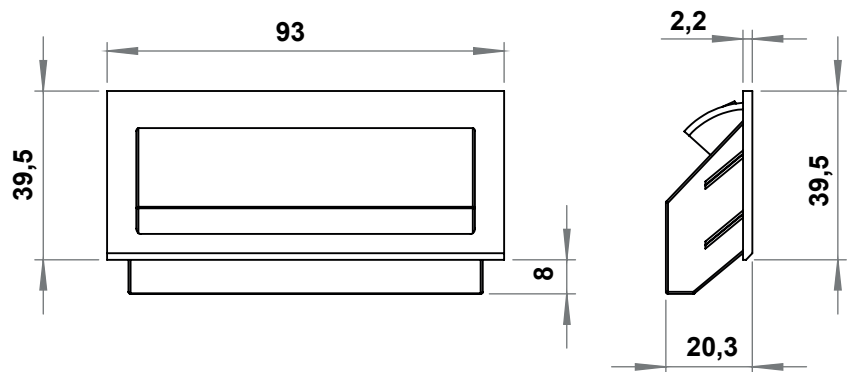
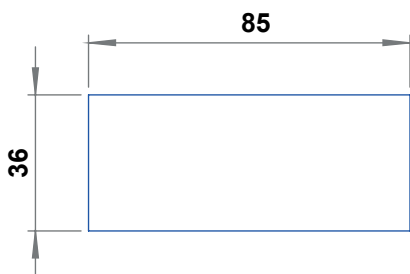
Handle



MATERIAL

Polyamide (PA6), black

Cutout



7205 - Handle

	Ts=0.8-2 mm
Item Number	7205 - 001