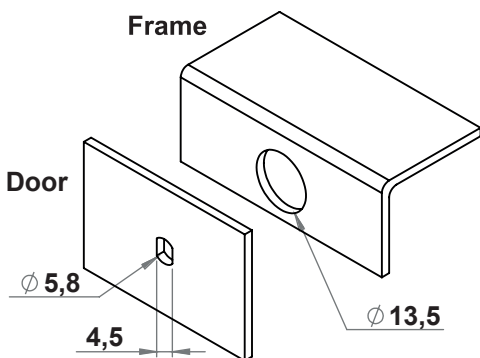


Compression Lock

Material

- Handle** : PA6
- Bushing** : Rubber
- Nut** : PA6 30% Rainforced
- TS** : Max 3,2mm

Cut Out



7241 - Swell Latch

	PA
Item Number	7241 - 100

LH/RH RoHS