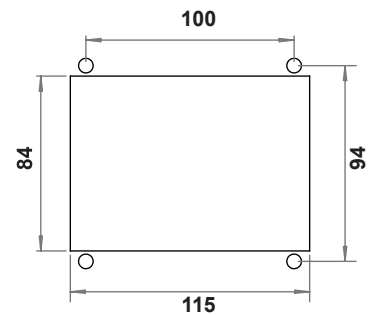


Various Locks

### MATERIAL

- Housing** : Polyamide (PA6), black
- Handle** : Polyamide (PA6), black
- Cam** : Zinc Die or Brass
- Gasket** : Polyurethane

### Cut Out



### 7451 - Heavy Duty Locks

|              | With Zinc Die Cam | With Brass Cam |
|--------------|-------------------|----------------|
| Non Locking  | 7451 - 000        | 7451 - 000 - P |
| Keyed Same   | 7451 - 023        | 7451 - 023 - P |
| Keyed Differ | 7451 - 029        | 7451 - 029 - P |

RoHS

LH/RH

