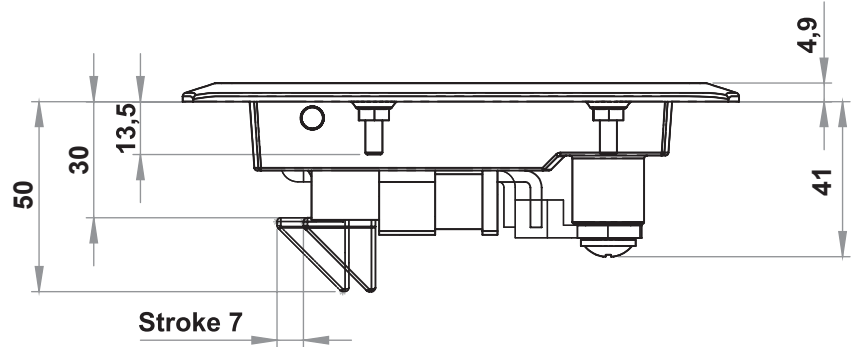
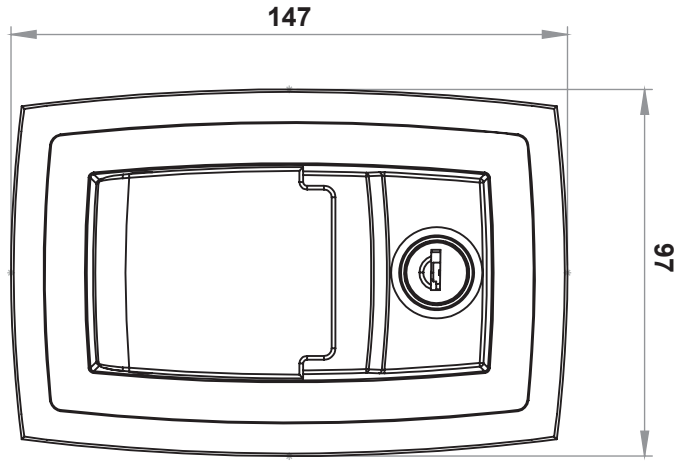
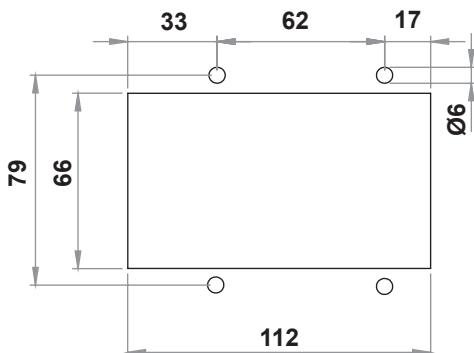


NEW!

**Material**

**Housing** Polyamide(PA6 GFR30), black  
**Handle** : Polyamide(PA6 GFR30), black  
**Cam** : Zinc die, Zinc plated / Brass

**Cutout:****7452 - Cabinet Lock**

	Steel, Zinc plated	Brass Cam
Non-Lock	7452 - 000	7452 - 000-P
Keyed Same	7452 - 023	7452 - 023-P
Keyed Differ	7452 - 029	7452 - 029-P



LH/RH

RoHS