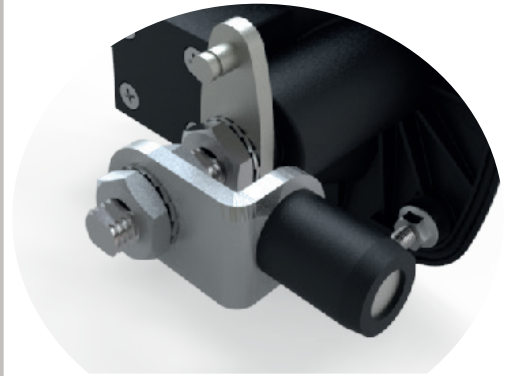


7634 - Cabinet Lock with T-Handle,, Adjustable Cam for Rod Locks
Grip Range (H) = Between 40mm - 80mm

Keyed Same	T-Handle : Zinc die, black painted	T-Handle : Zinc die, chrome plated
With Screws M5	7634 - 123 - 500	7634 - 123 - 500 - K
With countersunk hole of M5	7634 - 023 - 500	7634 - 023 - 500 - K

Please contact Elkomsan for different grip measurements



Çeşitli Kilitler

MATERIAL

Housing : Polyamide (GFR 30%), black

T-Handle : Zinc die, black painted or chrome plated

Cam : Polyamide (GFR 30%), black

CUTOUT

