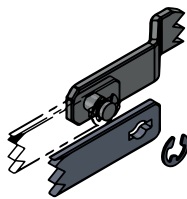
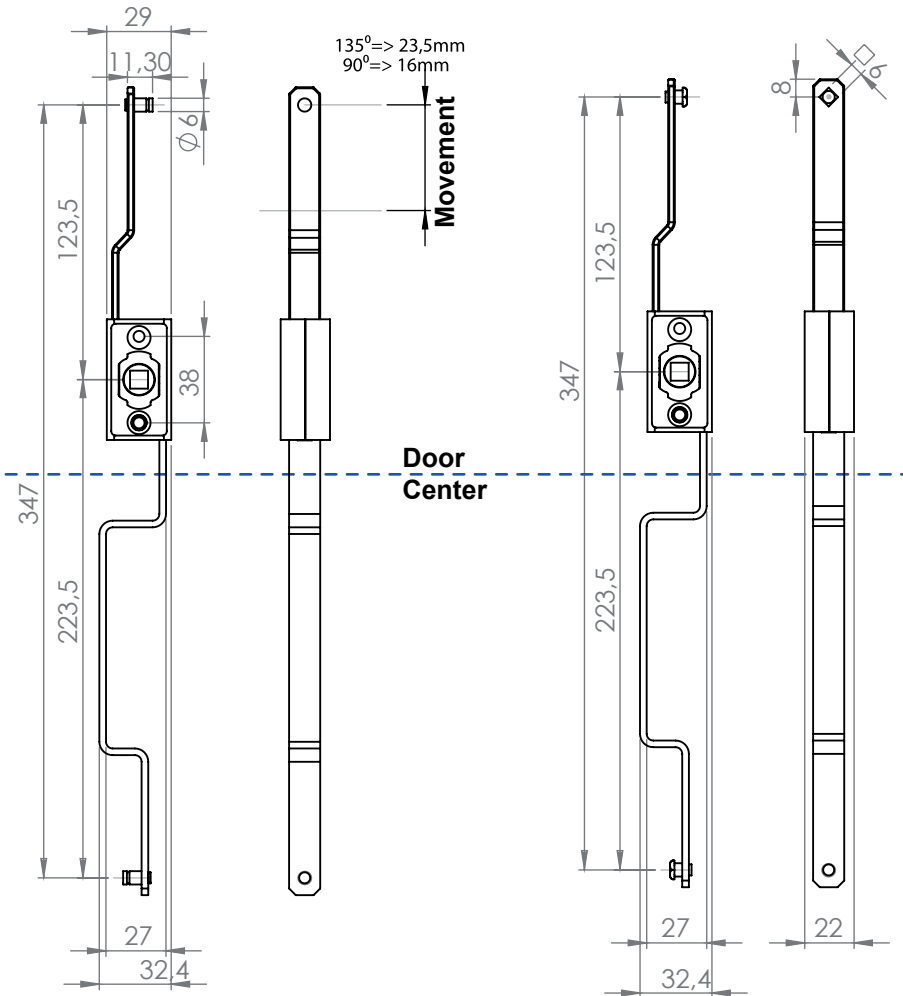
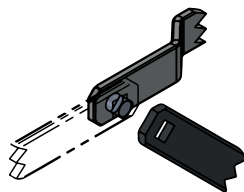


With Pin and Circlip

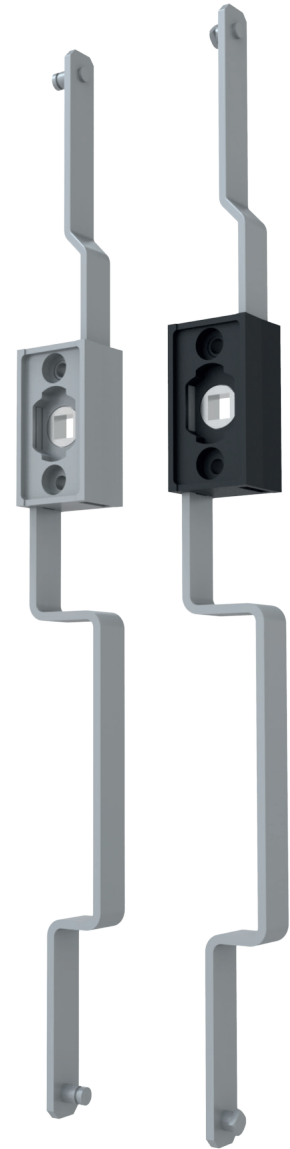
With Square Pins



With pin and Circlip



With Square Pins



Rod Latch Systems

MATERIAL

Housing: Polyamide (PA6 GFR30), black / Zinc die

Rods : Steel, zinc plated

Pins : Steel, zinc plated

8700 - 347mm Mechanism

	Plastic Housing		Zinc die Housing	
	MK	Item Number	MK	Item Number
With Pin and Circlip	744	8744 - 000	734	8734 - 000
With Square Pins	747	8747 - 000	737	8737 - 000